

Features

- Gain bandwidth : 15kHz
- Rail-to-rail input and output 0.5mV typical
V_{os}
- InputT voltage range : -0.1V to +5.6V with
V_s = 5.5V
- Supply range : +1.4V to +5.5V
- Specified up to +125°C
- Micro Size packages : SOT23-5

Application

- Sensors
- Photo diode amplification
- Wearable products
- Temperature measurement
- Battery powered system

Description

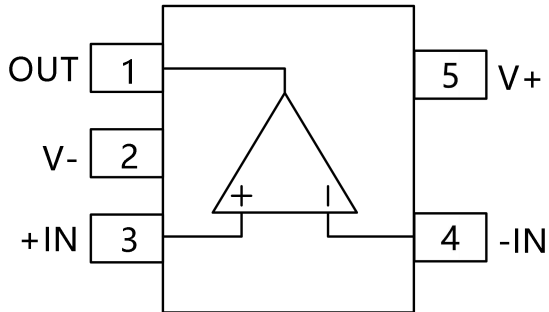
The CBM8031, CBM8032, CBM8034, families of products offer low voltage operation and rail-to-rail input and output, as well as excellent speed/power consumption ratio, providing an excellent bandwidth (15kHz) and slew rate of 7.5V/ms. The op-amps are unity gain stable and feature an ultra-low input bias current.

The devices are ideal for sensor interfaces, active filters and portable applications. The CBM8031, CBM8032, CBM8034 families of operational amplifiers are specified at the full temperature range of -40°C to +125°C under single or dual power supplies of 1.4V to 5.5V.

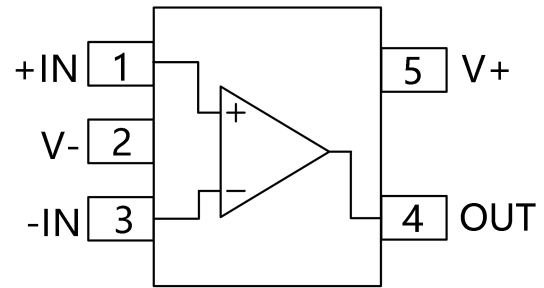
CATALOG

Features.....	
Application.....	
Description.....	
Pin Configurations.....	1
Absolute Maximum Ratings ⁽¹⁾	2
Electrical Characteristics.....	3
Typical Characteristics.....	4
Package Outline Dimensions.....	5
SOT23-5.....	5
MSOP-8.....	6
TSSOP-14.....	8
SOIC-8(SOP8).....	7
SOIC-14(SOP14).....	9
Package/Ordering Information.....	10

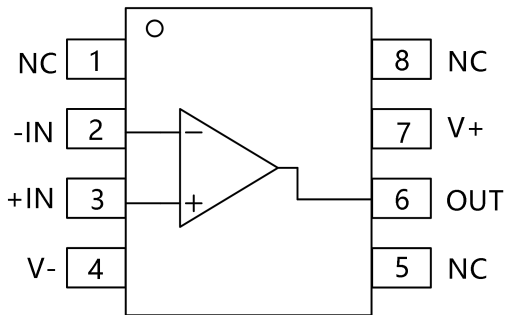
Pin Configurations



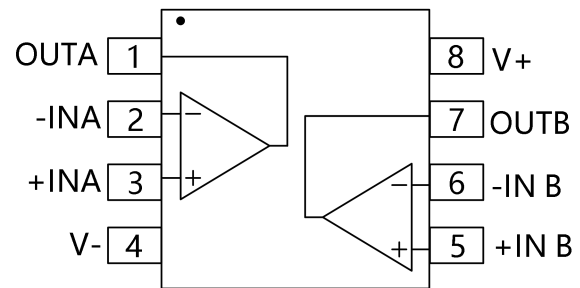
SOT23-5



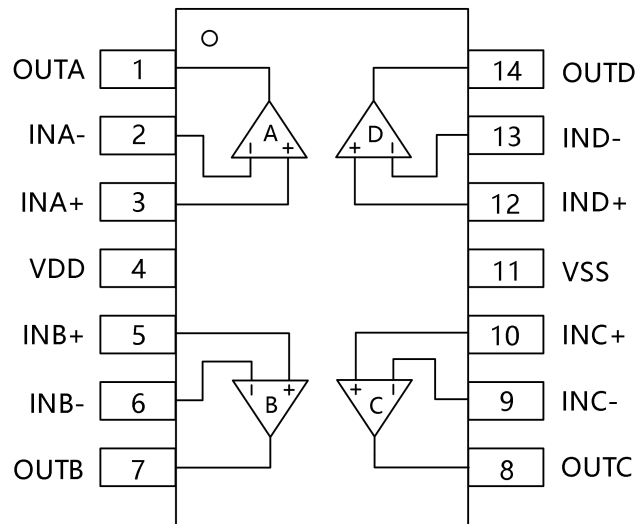
SOT23-5



SOIC-8(SOP8), MSOP-8



SOIC-8(SOP8), MSOP-8



SOIC-14(SOP14), TSSOP-14

Note : NC indicates no internal connection

Absolute Maximum Ratings ⁽¹⁾

●..Supply Voltage, V+ to V-	7.0V
●..Input Terminals, Voltage ⁽²⁾	- 0.5 to (V+) + 0.5V
●..Current Terminals, Voltage ⁽²⁾	±10mA
●..Storage Temperature	-65°C to +150°C
●..Operating Temperature	-40°C to +125°C
●..Junction Temperature	150°C
●..Package Thermal Resistance @ TA= +25°C	
●..SOT23-5, SOT23-6	200°C/W
●..MSOP-10, SOIC-8, TSSOP-8	150°C/W
●..SOIC-14, TSSOP-14	100°C/W
●..Lead Temperature (Soldering, 10s)	260°C ESD Susceptibility
●..HBM	5000V
●..MM	400V

1.Stresses above these ratings may cause permanent damage. Exposure to absolute maximum conditions for extended periods may degrade device reliability. These are stress ratings only, and functional operation of the device at these or any other conditions beyond those specified is not implied.

2.Input terminals are diode-clamped to the power-supply rails. Input signals that can swing more than 0.5V beyond the supply rails should be current-limited to 10mA or less.



ESD SENSITIVITY CAUTION

ESD damage can range from subtle performance degradation to complete device failure. Precision integrated circuits may be more susceptible to damage because very small parametric changes could cause the device not to meet its published specifications.

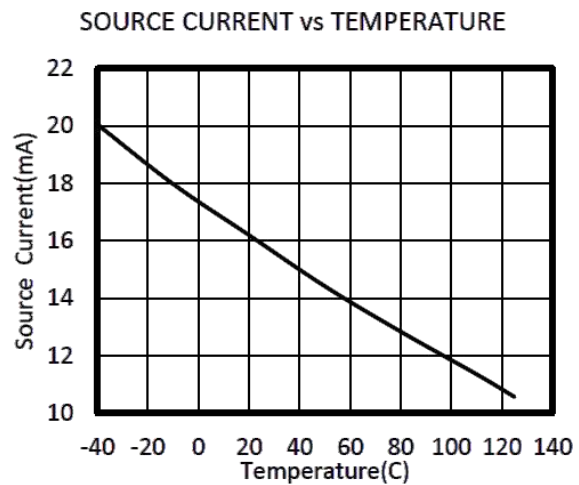
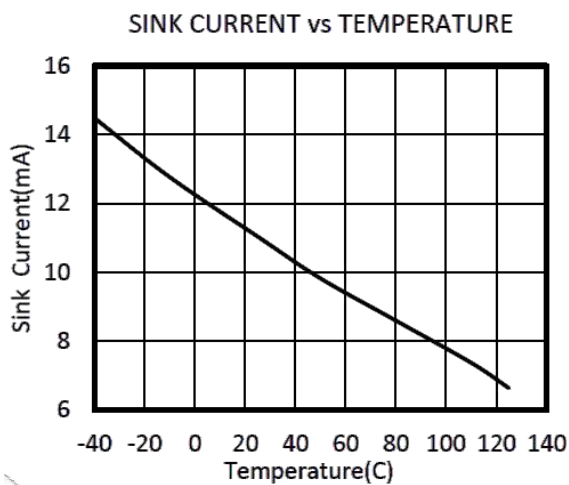
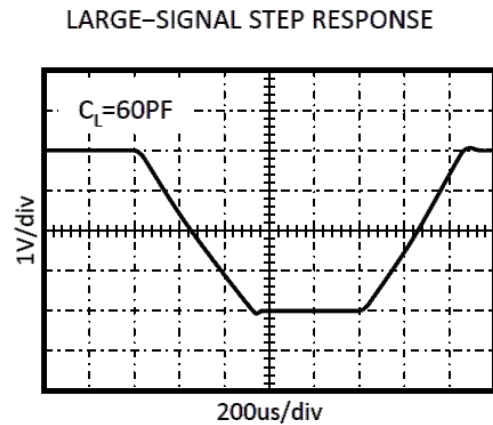
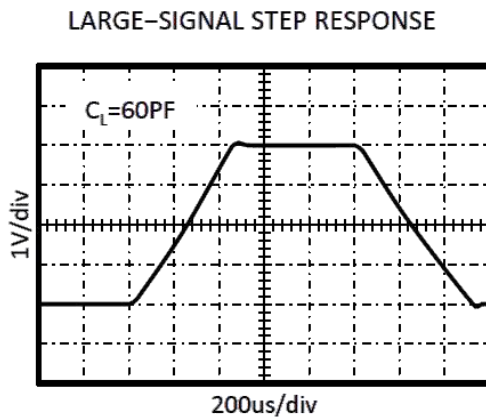
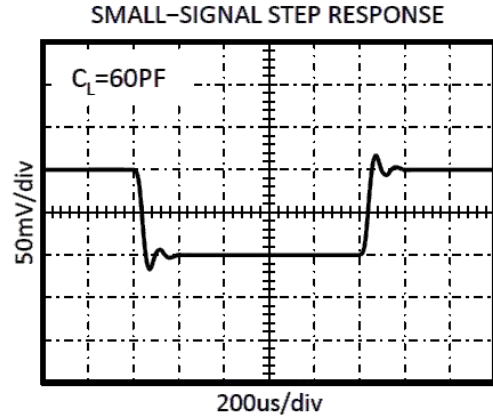
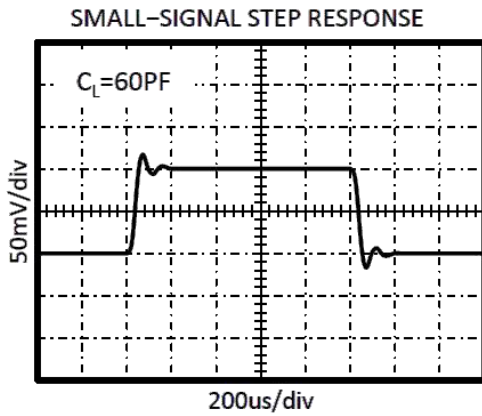
Electrical Characteristics

(At $T_A = +25^\circ\text{C}$, $V_S=5.0\text{V}$, $R_L = 1\text{M}\Omega$ connected to $V_S/2$, and $V_{OUT} = V_S/2$, unless otherwise noted.)

PARAMETER		CONDITIONS	CBM8031, CBM8032,CBM8034			UNIT
			MIN	TYP	MAX	
POWER SUPPLY						
V_S	Operating Voltage Range		1.4		5.5	V
I_Q	Quiescent Current/Amplifier			670	1500	μA
PSRR	Power-Supply Rejection Ratio	$V_S=2.5\text{V to }5.5\text{V}, V_{CM}=(V_-)+0.5\text{V}$	62			dB
INPUT						
V_{OS}	Input Offset Voltage			0.5	3	mV
$\Delta V_{OS}/\Delta T$	Input Offset Voltage Average Drift	$-40^\circ\text{C to }125^\circ\text{C}$		2.3		$\mu\text{V}/^\circ\text{C}$
I_B	Input Bias Current			1	10	pA
I_{OS}	Input Offset Current			1	10	pA
V_{CM}	Common-Mode Voltage Range	$V_S= 5.5\text{V}$	-0.1		5.6	V
C_{MRR}	Common-Mode Rejection Ratio	$V_S= 5.5\text{V}, V_{CM}=-0.1\text{V to }4\text{V}$	73	90		dB
		$V_S= 5.5\text{V}, V_{CM}=-0.1\text{V to }5.6\text{V}$	60	83		
OUTPUT						
A_{OL}	Open-Loop Voltage Gain	$R_L=2\text{K}\Omega, V_O=0.15\text{V to }4.85\text{V}$	85	102		dB
		$R_L=10\text{K}\Omega, V_O=0.05\text{V to }4.95\text{V}$	92	106		
	Output Swing From Rail	$R_L=2\text{K}\Omega$		5		mV
I_{OUT}	Output Short-Circuit Current			11		mA
FREQUENCY RESPONSE						
SR	Slew Rate			7.5		V/ms
GBP	Gain-Bandwidth Product			15		kHz
PM	Phase Margin			60		$^\circ$
NOISE						
$e_{n,p-p}$	Input Voltage Noise Density	$f = 1\text{KHz}$		2.4		μVpp
e_n	Input Voltage Noise Density	$f = 10\text{KHz}$		160		$\text{nV}/\sqrt{\text{Hz}}$

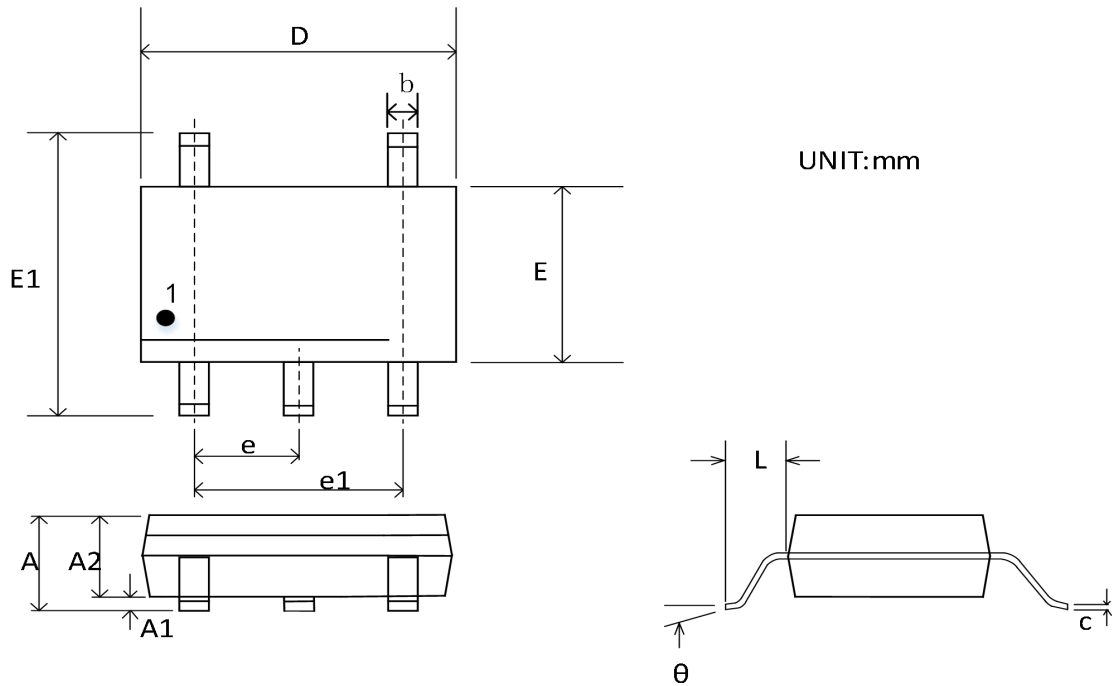
Typical Characteristics

At $T_A = +25^\circ\text{C}$, $V_S = 5\text{V}$, $R_L = 1\text{M}\Omega$ connected to $V_S/2$, $C_L = 60\text{pF}$, $V_{CM} = V_S/2$, unless otherwise noted.



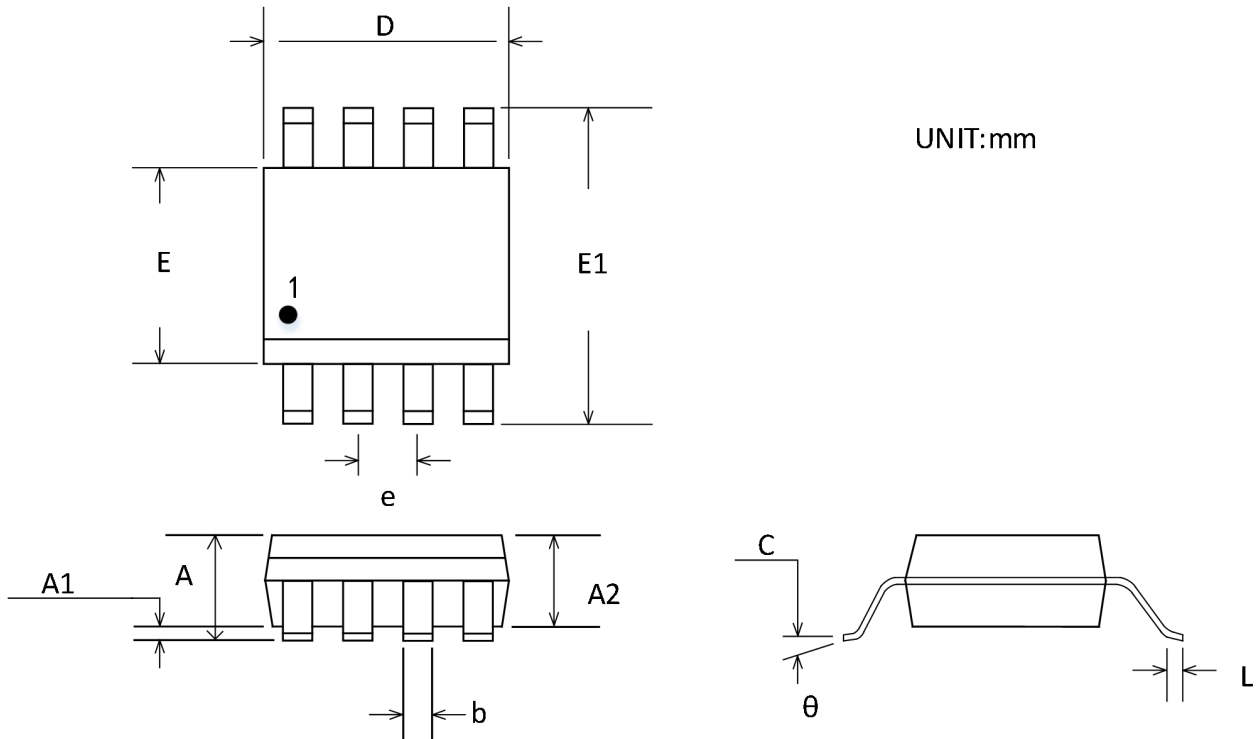
Package Outline Dimensions

SOT23-5



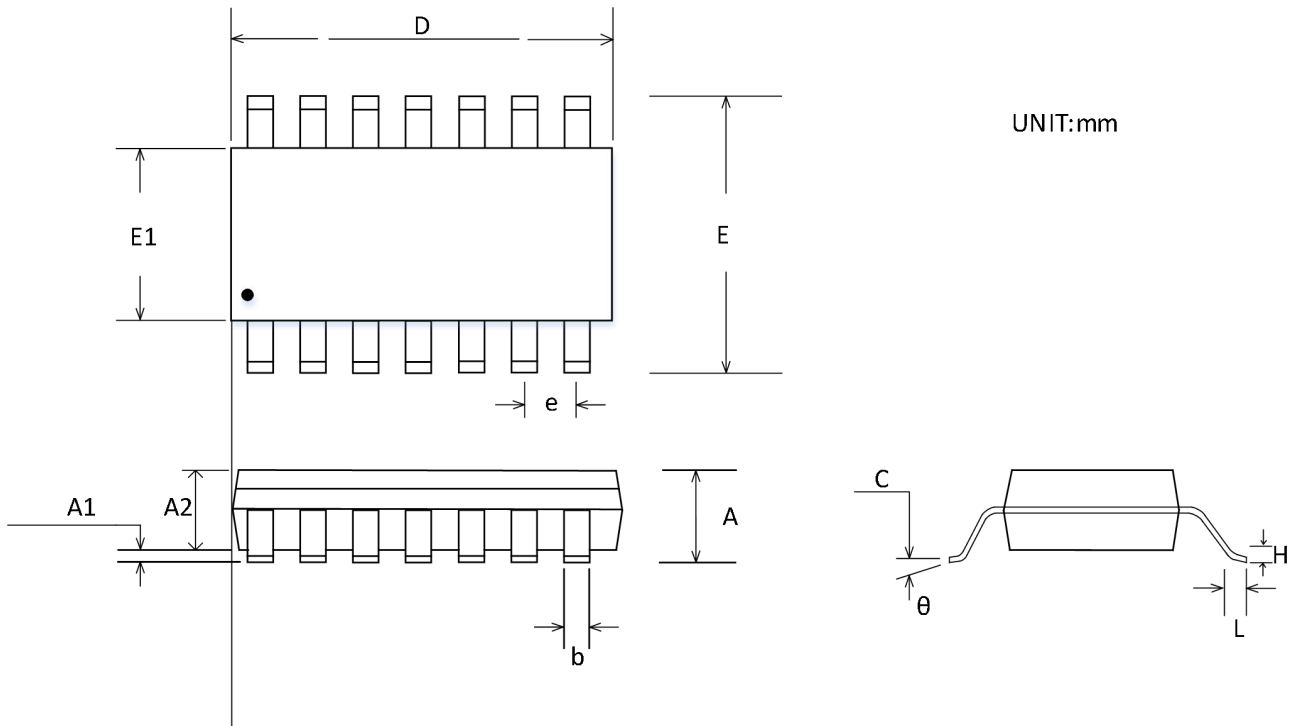
Symbol	Dimensions In Millimeters		Dimensions Inches	
	Min	Max	Min	Max
A	1.050	1.250	0.041	0.049
A1	0.000	0.100	0.000	0.004
A2	1.050	1.150	0.041	0.045
b	0.300	0.500	0.012	0.020
c	0.100	0.200	0.004	0.008
D	2.820	3.020	0.111	0.119
E	1.500	1.700	0.059	0.067
E1	2.650	2.950	0.104	0.116
e	0.950 BSC		0.037 BSC	
e1	1.800	2.000	0.071	0.079
L	0.300	0.600	0.012	0.024
θ	0°	8°	0°	8°

MSOP-8



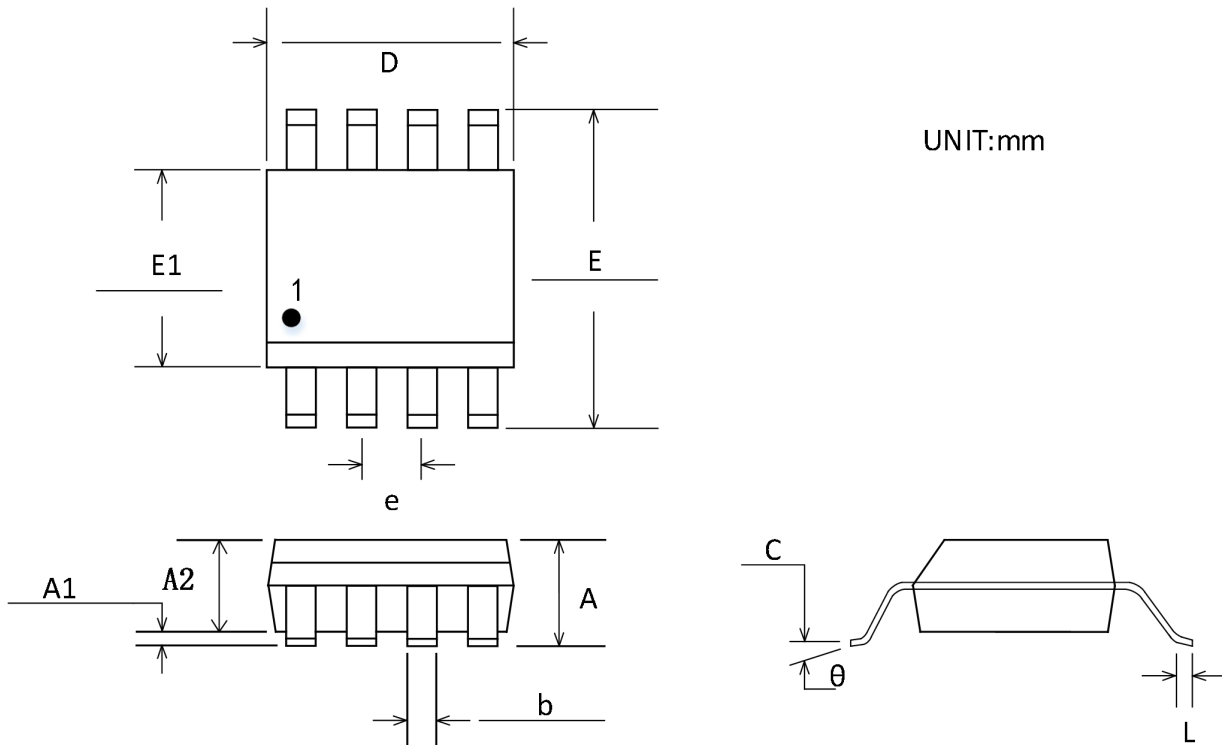
Symbol	Dimensions In Millimeters		Dimensions Inches	
	Min	Max	Min	Max
A	0.820	1.100	0.032	0.043
A1	0.020	0.150	0.001	0.006
A2	0.750	0.950	0.030	0.037
b	0.250	0.380	0.010	0.015
c	0.090	0.230	0.004	0.009
D	2.900	3.100	0.114	0.122
E	2.900	3.100	0.114	0.122
E1	4.750	5.050	0.187	0.199
e	0.650 BSC		0.026 BSC	
L	0.400	0.800	0.016	0.031
θ	0°	6°	0°	6°

TSSOP-14



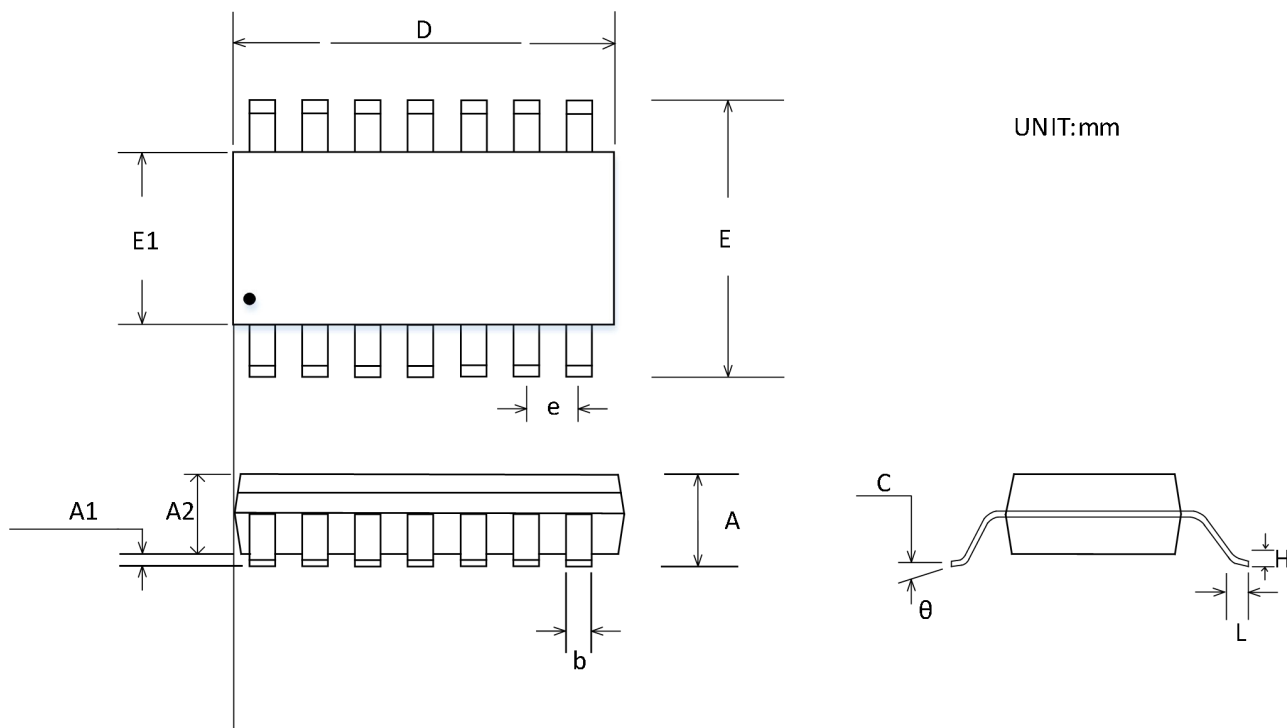
Symbol	Dimensions In Millimeters		Dimensions Inches	
	Min	Max	Min	Max
A		1.200		0.047
A1	0.050	0.150	0.002	0.006
A2	0.800	1.050	0.031	0.041
b	0.190	0.300	0.007	0.012
c	0.090	0.200	0.004	0.008
D	4.860	5.100	0.191	0.201
E	4.300	4.500	0.169	0.177
E1	6.250	6.550	0.246	0.258
e	0.650 BSC		0.026 BSC	
L	0.500	0.700	0.020	0.028
H	0.25 TYP		0.01 TYP	
θ	1°	7°	1°	7°

SOIC-8(SOP8)



Symbol	Dimensions In Millimeters		Dimensions Inches	
	Min	Max	Min	Max
A	1.350	1.750	0.053	0.069
A1	0.100	0.250	0.004	0.010
A2	1.350	1.550	0.053	0.061
b	0.330	0.510	0.013	0.020
c	0.170	0.250	0.007	0.010
D	4.800	5.000	0.189	0.197
E	5.800	6.200	0.228	0.244
E1	3.800	4.000	0.150	0.157
e	1.270 BSC		0.050 BSC	
L	0.400	1.270	0.016	0.050
θ	0°	8°	0°	8°

SOIC-14(SOP14)



Symbol	Dimensions In Millimeters		Dimensions Inches	
	Min	Max	Min	Max
A	1.350	1.750	0.053	0.069
A1	0.100	0.250	0.004	0.010
A2	1.350	1.550	0.053	0.061
b	0.310	0.510	0.012	0.020
c	0.100	0.250	0.004	0.010
D	8.450	8.850	0.333	0.348
E	5.800	6.200	0.228	0.244
E1	3.800	4.000	0.150	0.157
e	1.270 BSC		0.050 BSC	
L	0.400	1.270	0.016	0.050
θ	0°	8°	0°	8°

Package/Ordering Information

PRODUCT TYPE	OPERATING TEMPERATURE	PACKAGE	PACKAGE MARKING	NUMBER OF PACKAGES
CBM8031AS8	-40°C~125°C	SOIC-8(SOP8)	CBM8031A	Tape and Reel, 2500
CBM8031AS8-RL	-40°C~125°C	SOIC-8(SOP8)	CBM8031A	Tape and Reel, 3000
CBM8031AS8-REEL	-40°C~125°C	SOIC-8(SOP8)	CBM8031A	Tape and Reel, 4000
CBM8031AST5	-40°C~125°C	SOT23-5	8031	Tape and Reel, 3000
CBM8031BST5	-40°C~125°C	SOT23-5	031B	Tape and Reel, 3000
CBM8031AMS8	-40°C~125°C	MSOP-8	A31	Tape and Reel, 3000
CBM8032AS8	-40°C~125°C	SOIC-8(SOP8)	CBM8032	Tape and Reel, 2500
CBM8032AS8-RL	-40°C~125°C	SOIC-8(SOP8)	CBM8032	Tape and Reel, 3000
CBM8032AS8-REEL	-40°C~125°C	SOIC-8(SOP8)	CBM8032	Tape and Reel, 4000
CBM8032AMS8	-40°C~125°C	MSOP-8	A32	Tape and Reel, 3000
CBM8034AS14	-40°C~125°C	SOIC-14(SOP14)	CBM8034AS	Tape and Reel, 2500
CBM8034AS14-RL	-40°C~125°C	SOIC-14(SOP14)	CBM8034AS	Tape and Reel, 3000
CBM8034AS14-REEL	-40°C~125°C	SOIC-14(SOP14)	CBM8034AS	Tape and Reel, 4000
CBM8034ATS14	-40°C~125°C	TSSOP-14	CBM8034AT	Tape and Reel, 2500
CBM8034ATS14-RL	-40°C~125°C	TSSOP-14	CBM8034AT	Tape and Reel, 3000
CBM8034ATS14-REEL	-40°C~125°C	TSSOP-14	CBM8034AT	Tape and Reel, 4000