

Features

- Single-Supply Operation from 2.5V~+5.5V
- Rail-to-Rail Output
- -3dB Bandwidth(G=+1): 150MHz (Typ.)
- Low Input Bias Current: 1pA (Typ.)
- Quiescent Current: 2.8mA/Amplifier (Typ.)
- Operating Temperature: -40°C ~ +125°C
- Small Package:
 - CBM8051 Available in SOT23-5 and SC70-5 Packages
 - CBM8052 Available in SOP-8 and MSOP-8 Packages
 - CBM8054 Available in SOP-14 and TSSOP-14 Packages
 - CBM8051N Available in SOT23-6 and SC70-6 Packages
 - CBM8052N Available in MSOP-10 Packages

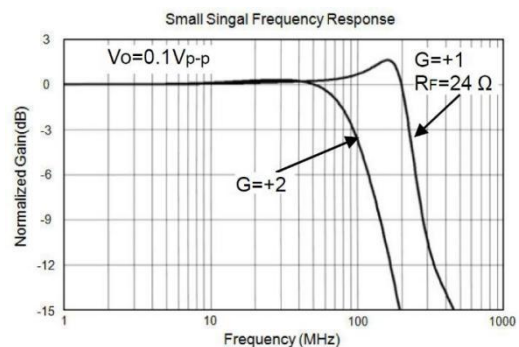
Application

- CCD Imaging System
- Photo diode Preamp
- DVD/CD
- Filters
- Professional Video and Cameras
- Hand Sets
- Base Stations
- to-D Driver

Description

The CBM8051 / 1N (single), CBM8052 /2N(dual), CBM8054 (quad) are rail-to-rail output voltage feedback amplifiers offering ease of use and low cost. They have bandwidth and slew rate typically found in current feedback amplifiers. All have a wide input common-mode voltage range and output voltage swing, making them easy to use on single supplies as low as 2.5V. Despite being low cost, the CBM8051 series provide excellent overall performance. They offer wide bandwidth to 250MHz (G =+1) along with 0.1dB flatness out to 52MHz (G= +2) and offer a typical low power of 2.8mA/amplifier.

The CBM8051 series is low distortion and fast settling make it ideal for buffering high speed A/D or D/A converters. The CBM8051/2N has a power-down disable feature that reduces the supply current to 50μA. These features make the CBM8051/2N ideal for portable and battery-powered applications where size and power are critical. All are specified over the extended -40 °C to +125°C temperature range.



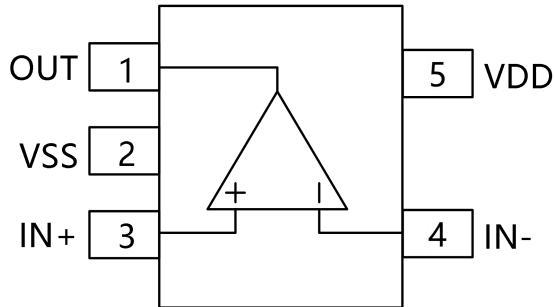
Datalog

Features.....	1
Application.....	1
Description.....	1
Datalog.....	2
Revision log.....	3
Pin Configurations.....	4
Absolute Maximum Ratings.....	5
Electrical Characteristics.....	6
Electrical Performance Characteristics.....	8
Typical Characteristics.....	10
Typical Performance Characteristics.....	11
Application Notes.....	13
Typical Application Circuits.....	15
Package Outline Dimensions.....	17
MSOP-8.....	17
TSSOP-14.....	18
SOIC-8(SOP8).....	19
SOIC-14(SOP14).....	20
SOT23-5.....	21
SC70-5.....	21
SOT23-6.....	23
MSOP-10.....	24
Package/Ordering Information.....	25

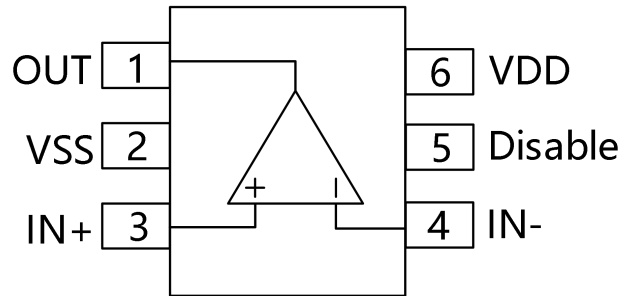
Revision Log

Version	Revision date	Change content	Reason for Change	Modified by	Reviewed By	Note
V1.0	2024.11.21	Update TSSOP14 package parameters error.	Error update	WW	LYL	

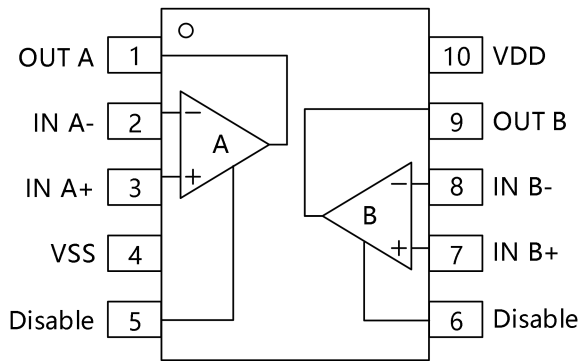
Pin Configurations



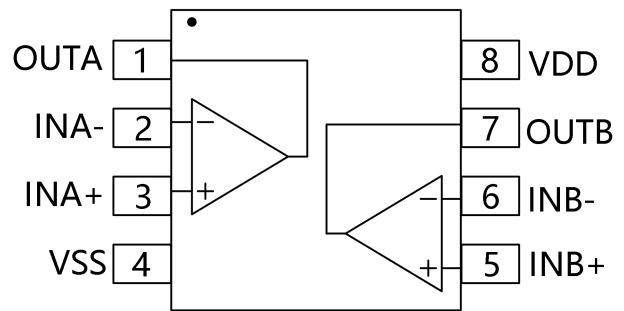
SOT23-5/SC70-5



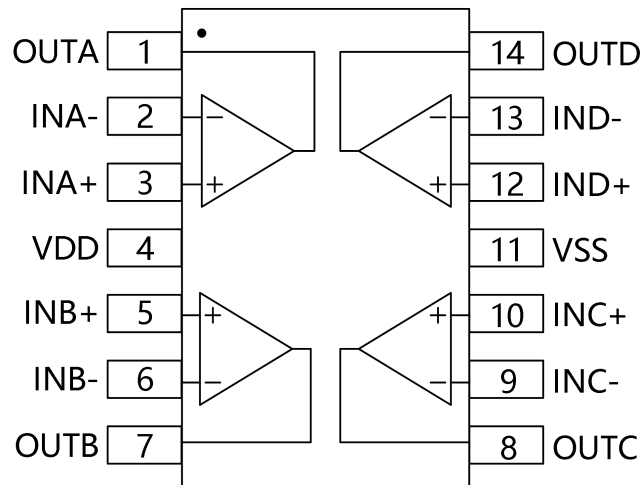
SOT23-6/SC70-6



MSOP-10



SOP-8/MSOP-8



SOP-14/TSSOP-14

Figure 1. Pin Assignment Diagram

Absolute Maximum Ratings

Condition	Min	Max
Power Supply Voltage (V_{DD} to VSS)	-0.5V	+7.5V
Analog Input Voltage (IN+ or IN-)	VSS-0.5V	$V_{DD}+0.5V$
PDB Input Voltage	VSS-0.5V	+7V
Operating Temperature Range	-40°C	+125°C
Junction Temperature	+160°C	
Storage Temperature Range	-65°C	+150°C
Lead Temperature (soldering, 10sec)	+300°C	
Package Thermal Resistance ($T_A=+25^\circ\text{C}$)		
SOP-8, θ_{JA}	125°C/W	
MSOP-8, θ_{JA}	216°C/W	
SOT23-5, θ_{JA}	190°C/W	
SOT23-6, θ_{JA}	190°C/W	
SC70-5, θ_{JA}	333°C/W	
ESD Susceptibility		
HBM	6KV	
MM	400V	

Note: Stress greater than those listed under Absolute Maximum Ratings may cause permanent damage to the device. This is a stress rating only and functional operation of the device at these or any other conditions outside those indicated in the operational sections of this specification are not implied. Exposure to absolute maximum rating conditions for extended periods may affect reliability.

Electrical Characteristics

($G=+2$, $R_F=887\Omega$, $R_G=887\Omega$, and $R_L=150\Omega$ connected to $V_{DD}/2$, unless otherwise noted. Typical values are at $T_A = +25^\circ\text{C}$.)

PARAMETER	CONDITIONS	CBM8051/CBM8052/CBM8054/CBM8051N/CBM8052N							
		TYP	MIN/MAX OVER TEMPERATURE					UNITS	MIN/MAX
		+25°C	+25°C	0°C to 70°C	-40°C to 85°C	-40°C to 125°C			
DYNAMIC PERFORMANCE									
3dB Small Signal Bandwidth	$G=+1, V_O=0.1\text{Vp-p}, R_F=24\Omega, R_L=150\Omega$	180	--	--	--	--	MHz	TYP	
	$G=+1, V_O=0.1\text{Vp-p}, R_F=24\Omega, R_L=1\text{k}\Omega$	250	--	--	--	--	MHz	TYP	
	$G=+2, V_O=0.1\text{Vp-p}, R_L=50\Omega$	55	--	--	--	--	MHz	TYP	
	$G=+2, V_O=0.1\text{Vp-p}, R_L=150\Omega$	93	--	--	--	--	MHz	TYP	
	$G=+2, V_O=0.1\text{Vp-p}, R_L=1\text{k}\Omega$	122	--	--	--	--	MHz	TYP	
	$G=+2, V_O=0.1\text{Vp-p}, R_L=10\text{k}\Omega$	130	--	--	--	--	MHz	TYP	
Gain-Bandwidth Product	$G=+10, R_L=150\Omega$	115	--	--	--	--	MHz	TYP	
	$G=+10, R_L=1\text{k}\Omega$	150	--	--	--	--	MHz	TYP	
Bandwidth for 0.1dB Flatness	$G=+2, V_O=0.1\text{Vp-p}, R_L=150\Omega, R_F=887\Omega$	52	--	--	--	--	MHz	TYP	
Slew Rate	$G=+1, 2\text{VOutputStep}$	77/-151	--	--	--	--	V/ μs	TYP	
	$G=+2, 2\text{VOutputStep}$	88/-119	--	--	--	--	V/ μs	TYP	
	$G=+2, 4\text{VOutputStep}$	93/-131	--	--	--	--	V/ μs	TYP	
Rise-and-Fall Time	$G=+2, V_O=0.2\text{Vp-p}, 10\%\text{to}90\%$	4.5	--	--	--	--	ns	TYP	

	$G=+2, V_O=2V_{p-p}, 10\% \text{ to } 90\%$	18	--	--	--	--	ns	TYP
Settling Time to 0.1%	$G=+2, 2V_{\text{OutputStep}}$	50	--	--	--	--	ns	TYP
Overload Recovery Time	$V_{IN}, G=+VDD$	18	--	--	--	--	ns	TYP
NOISE/DISTORTION PERFORMANCE								
Input Voltage Noise	$f = 1\text{MHz}$	4.9	--	--	--	--	nV/Hz	TYP
Differential Gain Error (NTSC)	$G = +2, R_L = 150\Omega$	0.03	--	--	--	--	%	TYP
Differential Phase Error (NTSC)	$G = +2, R_L = 1k\Omega$	0.08	--	--	--	--	degree	TYP
DC PERFORMANCE								
Input Offset Voltage (V_{OS})	$VDD=2.5V; VSS=-2.5V ;$ $V_{IN+}=V_{IN-}=V_{CM}=0V;$	± 2	± 8	± 8.9	± 9.5	± 9.8	mV	MAX
Input Offset Voltage Drift	--	2	--	--	--	--	$\mu V/^{\circ}C$	TYP
Input Bias Current (I_B)	$VDD=2.5V; VSS=-2.5V; V_{CM}=V_{REF}=0V$	1	--	--	--	--	pA	TYP
Input offset Current (I_{OS})	$VDD=2.5V; VSS=-2.5V; V_{CM}=V_{REF}=0V$	2	--	--	--	--	pA	TYP
Open-Loop Gain (A_{OL})	$V_O = 0.3V \text{ to } 4.7V, R_L = 150\Omega$	80	75	74	74	73	dB	MIN
	$V_O = 0.2V \text{ to } 4.8V, R_L = 1k\Omega$	104	91	91	91	80	dB	MIN
INPUT CHARACTERISTICS								
Input Common-Mode Voltage Range (V_{CM})	--	-0.2 to +3.8	--	--	--	--	V	TYP
Common-Mode Rejection Ratio (CMRR)	$V_{CM} = -0.1V \text{ to } +3.5V$	80	66	65	65	62	dB	MIN

Electrical Performance Characteristics

($G=+2$, $R_F=887\Omega$, $R_G=887\Omega$, and $R_L=150\Omega$ connected to $V_{DD}/2$, unless otherwise noted. Typical values are at $T_A = +25^\circ\text{C}$.)

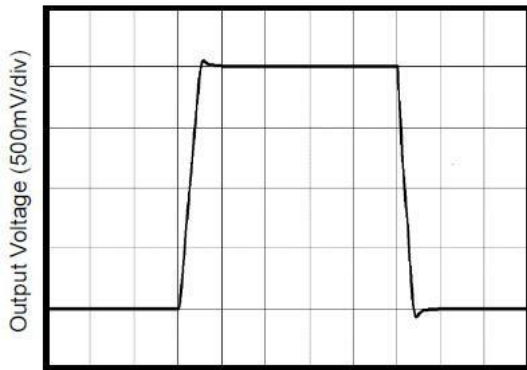
PARAMETER	CONDITIONS	CBM8051/CBM8052/CBM8054/CBM8051N/CBM8052N							
		TYP	MIN/MAX OVER TEMPERATURE					UNITS	MIN/MAX
		+25°C	+25°C	0°C to 70°C	-40°C to 85°C	-40°C to 125°C			
OUTPUT CHARACTERISTICS									
Output Voltage Swing from Rail	$R_L = 150\Omega$	0.12	--	--	--	--	V	TYP	
	$R_L = 1k\Omega$	0.03	--	--	--	--	V	TYP	
Output Current	$f < 100\text{kHz}$	80	60	--	--	--	mA	MIN	
Closed-Loop Output Impedance	--	0.08	--	--	--	--	Ω	TYP	
POWER-DOWN DISABLE									
(CBM8051/2N only) Turn-On Time	--	236	--	--	--	--	ns	TYP	
Turn-Off Time	--	52	--	--	--	--	ns	TYP	
DISABLE Voltage-Off	--	--	0.8	--	--	--	V	MAX	
DISABLE Voltage-On	--	--	2	--	--	--	V	MIN	
POWER SUPPLY									
Operating Voltage Range	--	--	2.5	2.7	2.7	2.7	V	MIN	
	--	--	5.5	5.5	5.5	5.5	V	MAX	
Quiescent Current (per amplifier)	$V_{DD} = 2.5\text{V}; V_{SS} = -2.5\text{V};$	2.8	3.65	--	--	--	mA	MAX	

	VIN+=VIN-=VCM=0V; Without RL							
Supply Current when Disabled per amplifier(CBM8051/2N only)	$\Delta VDD = +2.7V$ to $+5.5V$, $VCM = (-VDD) + 0.5$	50	70	85	100	137	μA	MAX
Power Supply Rejection Ratio (PSRR)	$VDD + 1.25V \sim +2.75V$, $VSS - 1.25V \sim -2.75V$ $VCM=0V, V_O=0V$	80	67	67	62	62	dB	MIN

Typical Characteristics

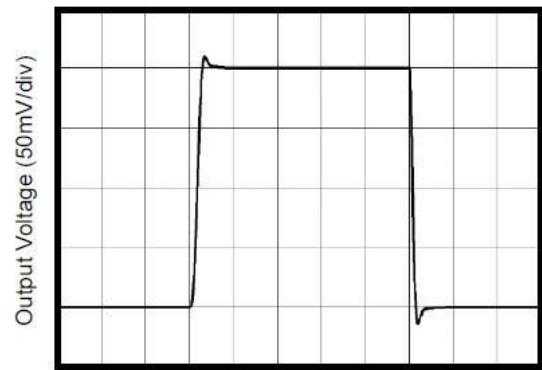
(VDD=+5V,G=+2, R_F=887Ω,R_G=887Ω,and R_L=150Ωconnected to VDD/2, unless otherwise noted. Typical values are at T_A =+25°C.)

Non-Inverting Large-Signal Step Response



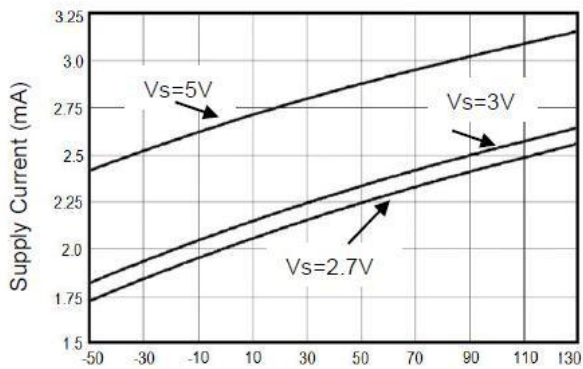
Time (50ns/div)

Non-Inverting Small-Signal Step Response



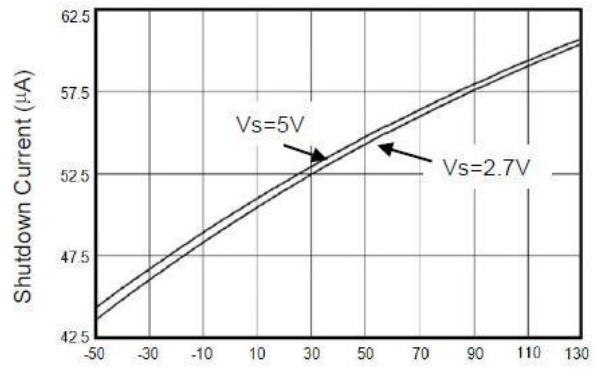
Time (50ns/div)

Supply Current vs. Temperature



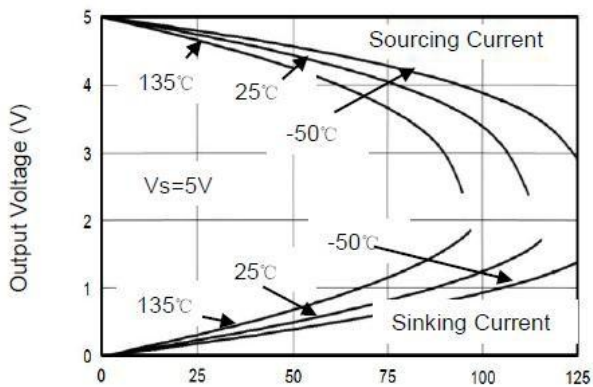
Temperature (°C)

Shutdown Current vs. Temperature



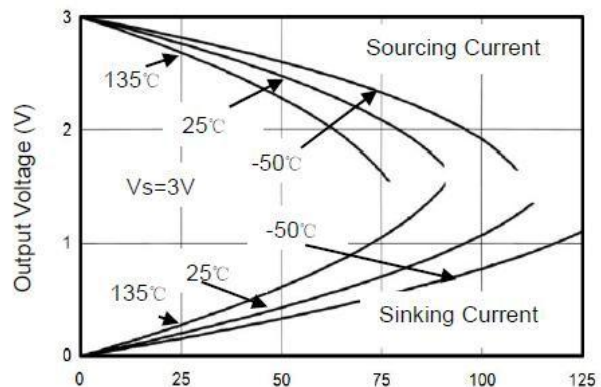
Temperature (°C)

Output Voltage Swing vs. Output Current



Output Current (mA)

Output Voltage vs. Output Current

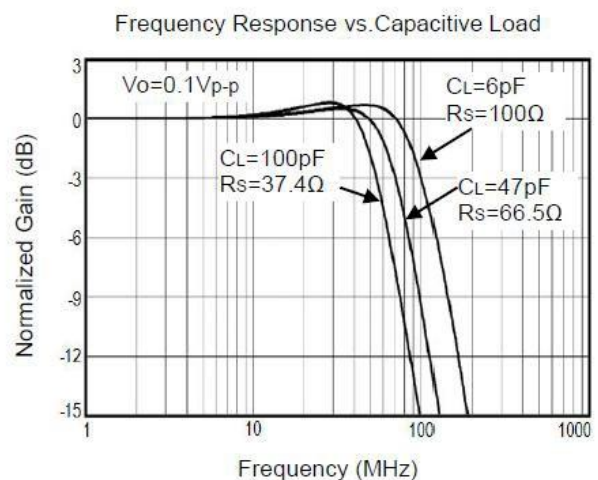
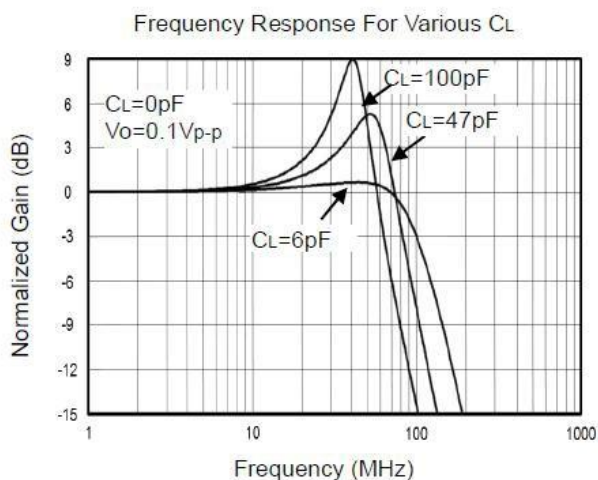
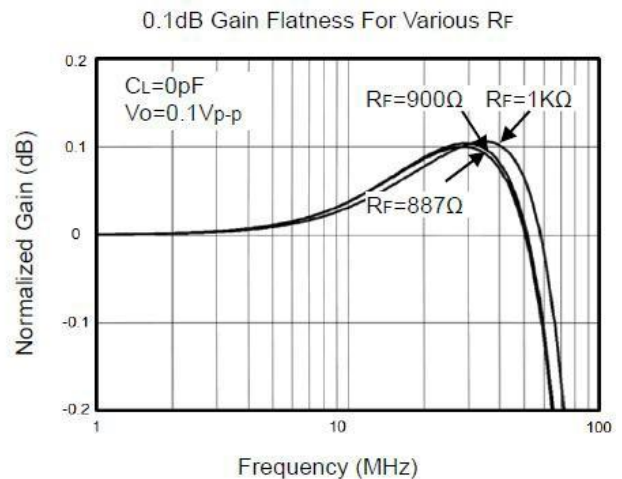
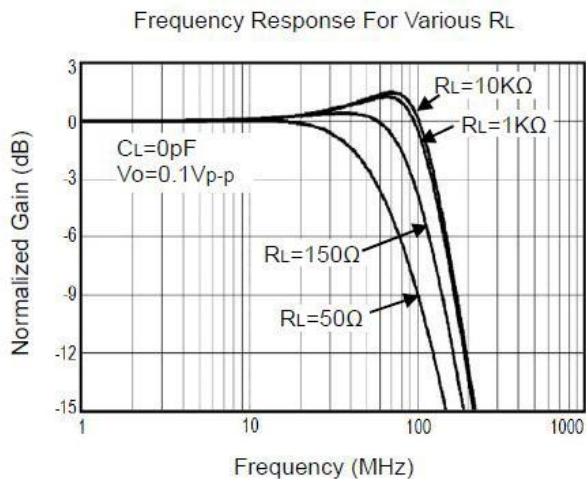
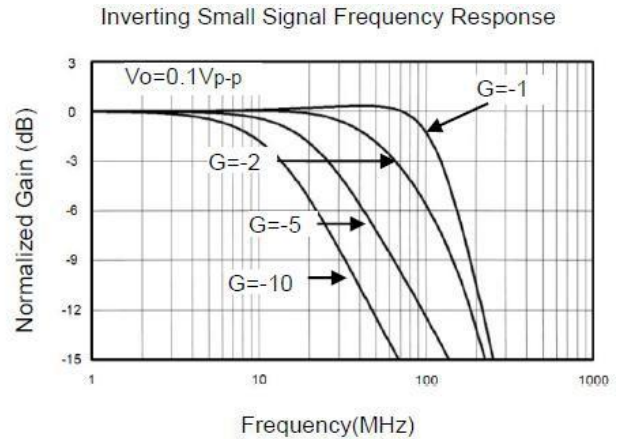
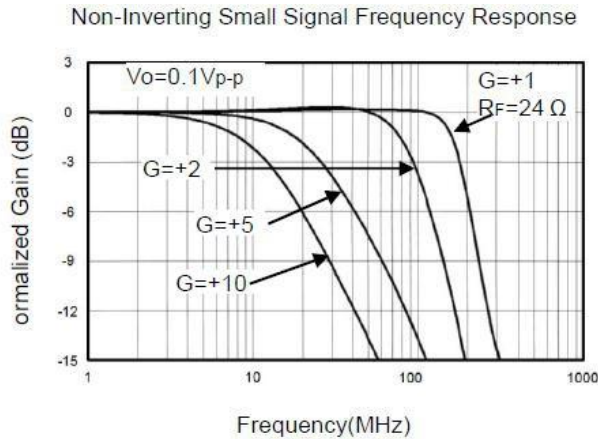


Output Current (mA)

Typical Performance Characteristics

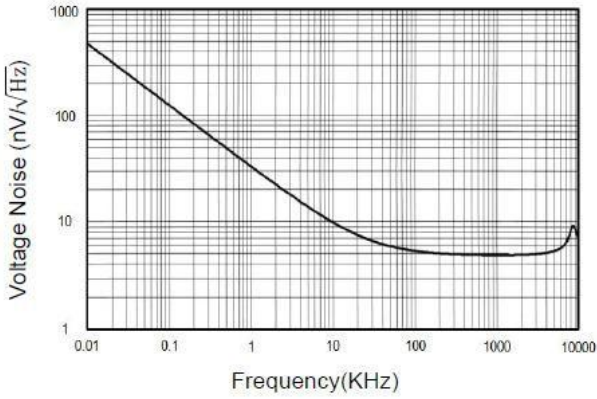
(VDD=+5V, G= +2, $R_F=887\Omega$, $R_G=887\Omega$, and $R_L=150\Omega$ connected to VDD/2, unless otherwise noted.

Typical values are at $T_A = +25^\circ\text{C}$.)

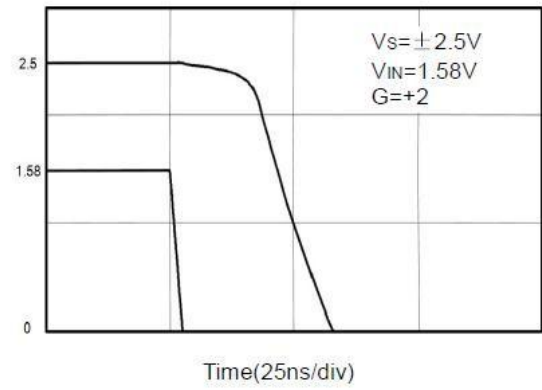


(VDD=+5V,G= +2, $R_F=887\Omega$, $R_G=887\Omega$,and $R_L=150\Omega$ connected to VDD/2, unless otherwise noted. Typical values are at $T_A = +25^\circ\text{C}$.)

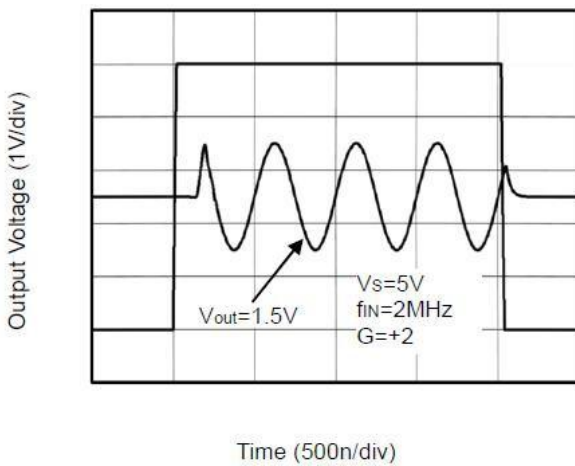
Input Voltage Noise Spectral Density vs. Frequency



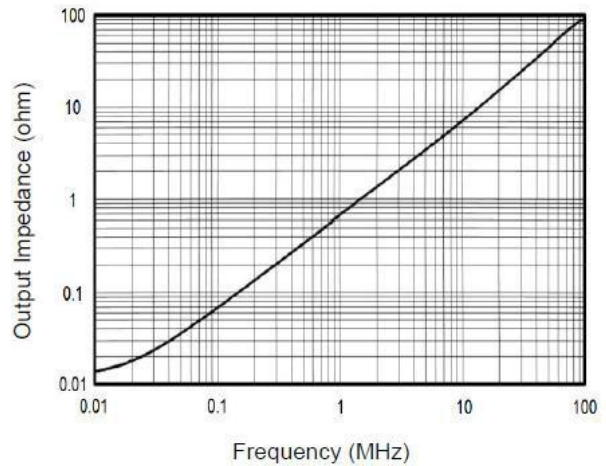
Overload Recovery Time



Large-Signal Disable/Enable Response



Closed-Loop Output Impedance vs Frequency



Application Notes

Driving Capacitive Loads

CBM805X series op amps are unity-gain stable and suitable for a wide range of general-purpose applications. The small footprints of the CBM805X series packages save space on printed circuit boards and enable the design of smaller electronic products.

Power Supply Bypassing and Board Layout

CBM805X series operates from a single 2.5V to 5.5V supply or dual $\pm 1.25\text{V}$ to $\pm 2.75\text{V}$ supplies. For best performance, a $0.1\mu\text{F}$ ceramic capacitor should be placed close to the VDD pin in single supply operation. For dual supply operation, both VDD and VSS supplies should be bypassed to ground with separate $0.1\mu\text{F}$ ceramic capacitors.

Low Supply Current

The low supply current (typical 2.8mA per channel) of CBM805X series will help to maximize battery life. They are ideal for battery powered systems

Operating Voltage

CBM805X series operate under wide input supply voltage (2.5V to 5.5V). In addition, all temperature specifications apply from -40°C to $+125^{\circ}\text{C}$. Most behavior remains unchanged throughout the full operating voltage range. These guarantees ensure operation throughout the single Li-Ion battery lifetime

Rail-to-Rail Output

Rail-to-Rail output swing provides maximum possible dynamic range at the output. This is particularly important when operating in low supply voltages. The output voltage of CBM805X series can typically swing to less than 8mV from supply rail in light resistive loads ($>1\text{k}\Omega$), and 30mV of supply rail in moderate resistive loads (150Ω).

Capacitive Load Tolerance

The CBM805X family is optimized for bandwidth and speed, not for driving capacitive loads. Output capacitance will create a pole in the amplifier's feedback path, leading to excessive peaking and potential oscillation. If dealing with load capacitance is a requirement of the application, the two strategies to consider are (1) using a small resistor in series with the amplifier's output and the load capacitance and (2) reducing the bandwidth of the amplifier's feedback loop by increasing the overall noise gain. Figure 2. shows a unity gain follower using the series resistor strategy. The resistor isolates the output from the capacitance and, more importantly, creates a zero in the feedback path that compensates for the pole created by the output capacitance.

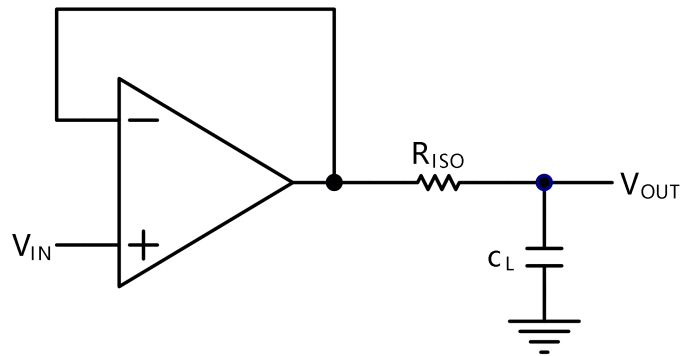


Figure 2. Indirectly Driving a Capacitive Load Using Isolation Resistor

The bigger the R_{ISO} resistor value, the more stable V_{OUT} will be. However, if there is a resistive load R_L in parallel with the capacitive load, a voltage divider (proportional to R_{ISO}/R_L) is formed, this will result in a gain error.

The circuit in Figure 3 is an improvement to the one in Figure 2. R_F provides the DC accuracy by feed-forward the V_{IN} to R_L . C_F and R_{ISO} serve to counteract the loss of phase margin by feeding the high frequency component of the output signal back to the amplifier's inverting input, thereby preserving the phase margin in the overall feedback loop. Capacitive drive can be increased by increasing the value of C_F . This in turn will slow down the pulse response.

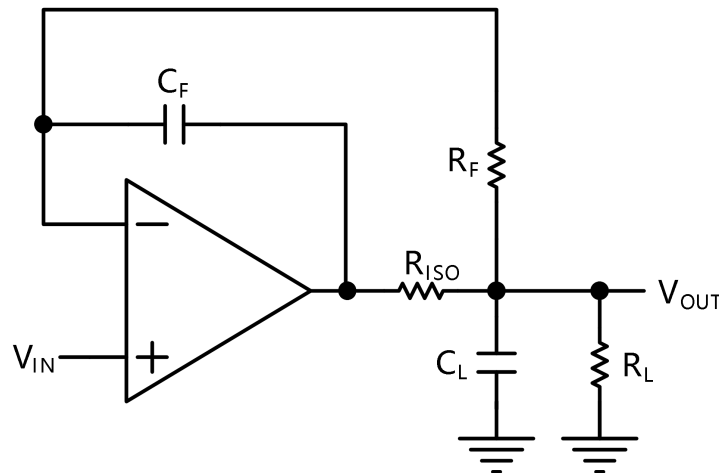


Figure 3. Indirectly Driving a Capacitive Load with DC Accuracy

Typical Application Circuits

Differential amplifier

The differential amplifier allows the subtraction of two input voltages or cancellation of a signal common to the two inputs. It is useful as a computational amplifier in making a differential to single-end conversion or in rejecting a common mode signal. Figure 4. shown the differential amplifier using CBM805X.

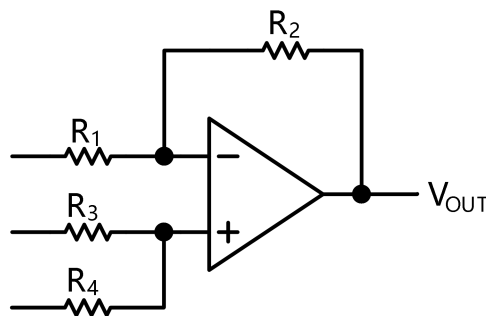


Figure 4. Differential Amplifier

$$V_{OUT} = \left(\frac{R_1 + R_2}{R_3 + R_4} \right) \frac{R_4}{R_1} V_{It} - \frac{R_2}{R_1} V_{It} + \left(\frac{R_1 + R_2}{R_3 + R_4} \right) \frac{R_3}{R_1} V_{Rth}$$

If the resistor ratios are equal (i.e. $R_1=R_3$ and $R_2=R_4$), then

$$V_{OUT} = \frac{R_2}{R_1} (V_{It} - V_{It}) + V_{Rth}$$

Low Pass Active Filter

The low pass active filter is shown in Figure 5. The DC gain is defined by $-R_2/R_1$. The filter has a -20dB/decade roll-off after its corner frequency $f_c = 1/(2\pi R_3 C_1)$.

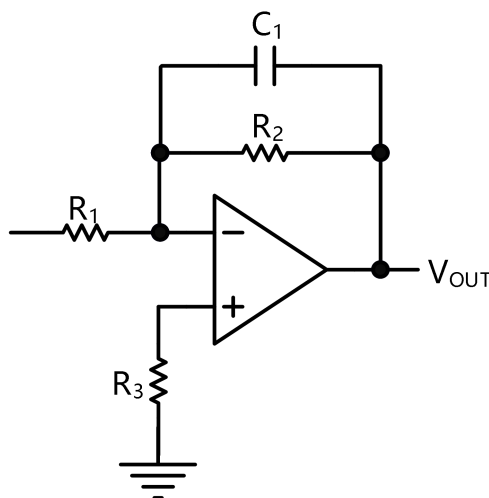


Figure 5. Low Pass Active Filter

Driving Video

The CBM805x can be used in video applications like in Figure 6.

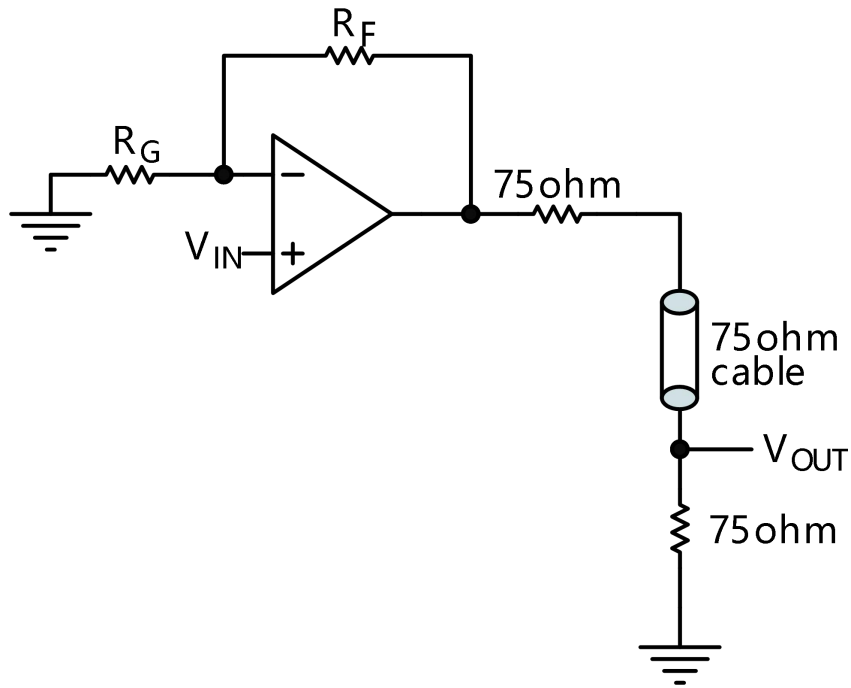
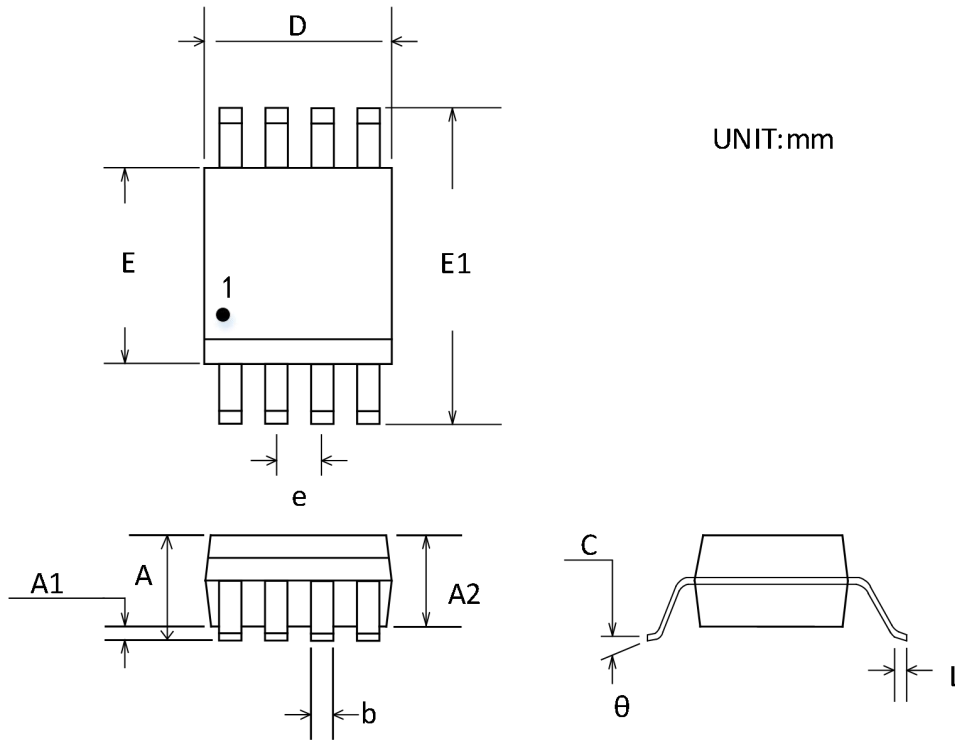


Figure 6. Typical video driving

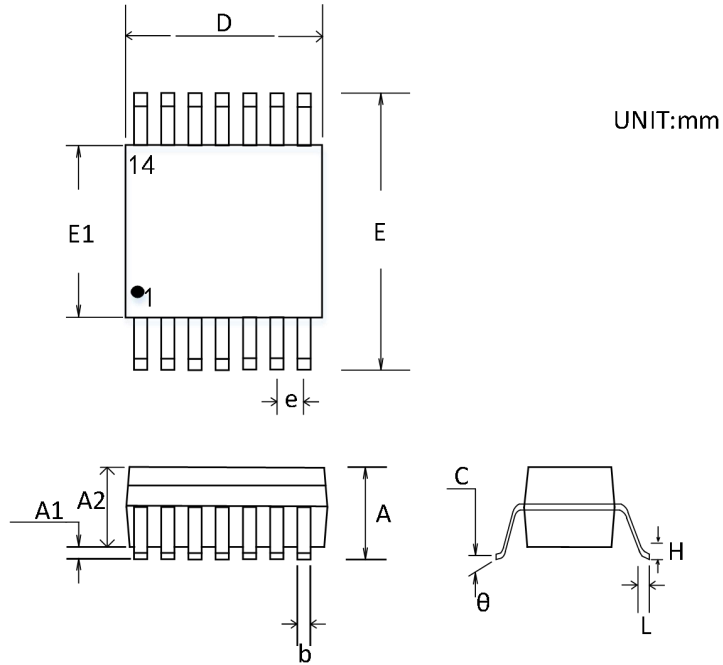
Package Outline Dimensions

MSOP-8



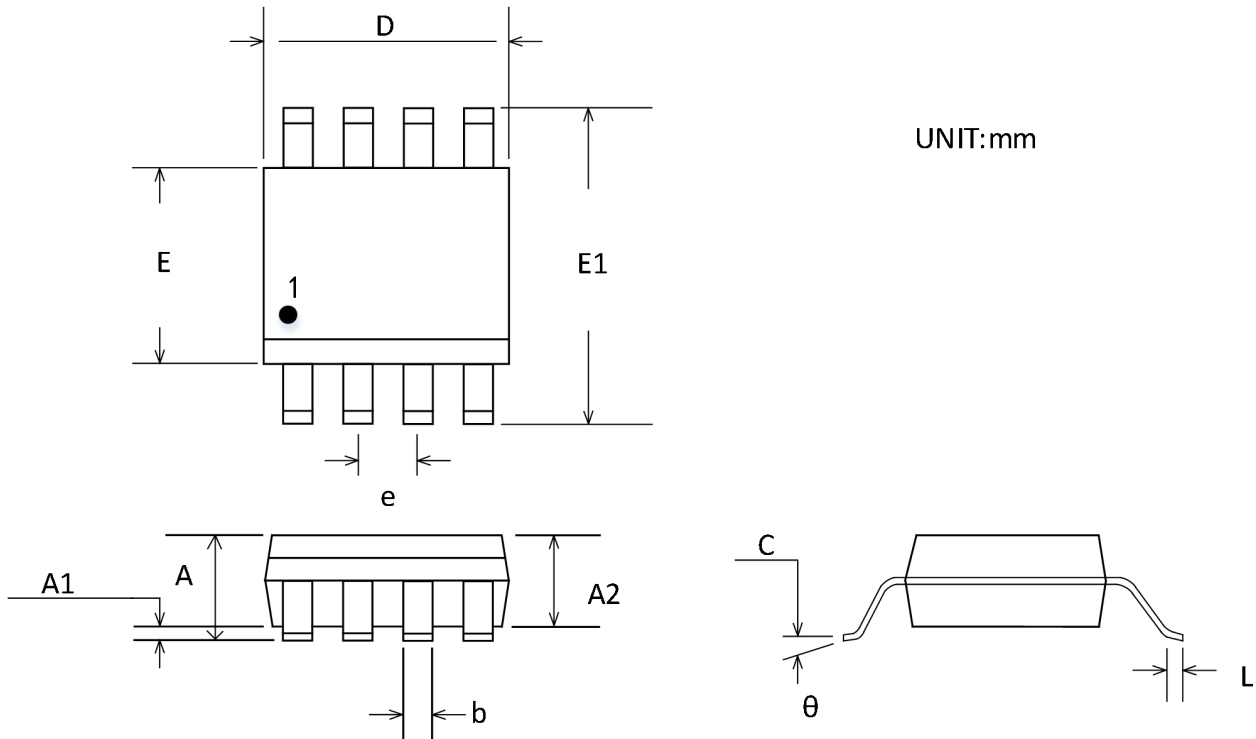
Symbol	Dimensions In Millimeters		Dimensions Inches	
	Min	Max	Min	Max
A	0.820	1.100	0.032	0.043
A1	0.020	0.150	0.001	0.006
A2	0.750	0.950	0.030	0.037
b	0.250	0.380	0.010	0.015
c	0.090	0.230	0.004	0.009
D	2.900	3.100	0.114	0.122
E	2.900	3.100	0.114	0.122
E1	4.750	5.050	0.187	0.199
e	0.650 BSC		0.026 BSC	
L	0.400	0.800	0.016	0.031
θ	0°	6°	0°	6°

TSSOP-14



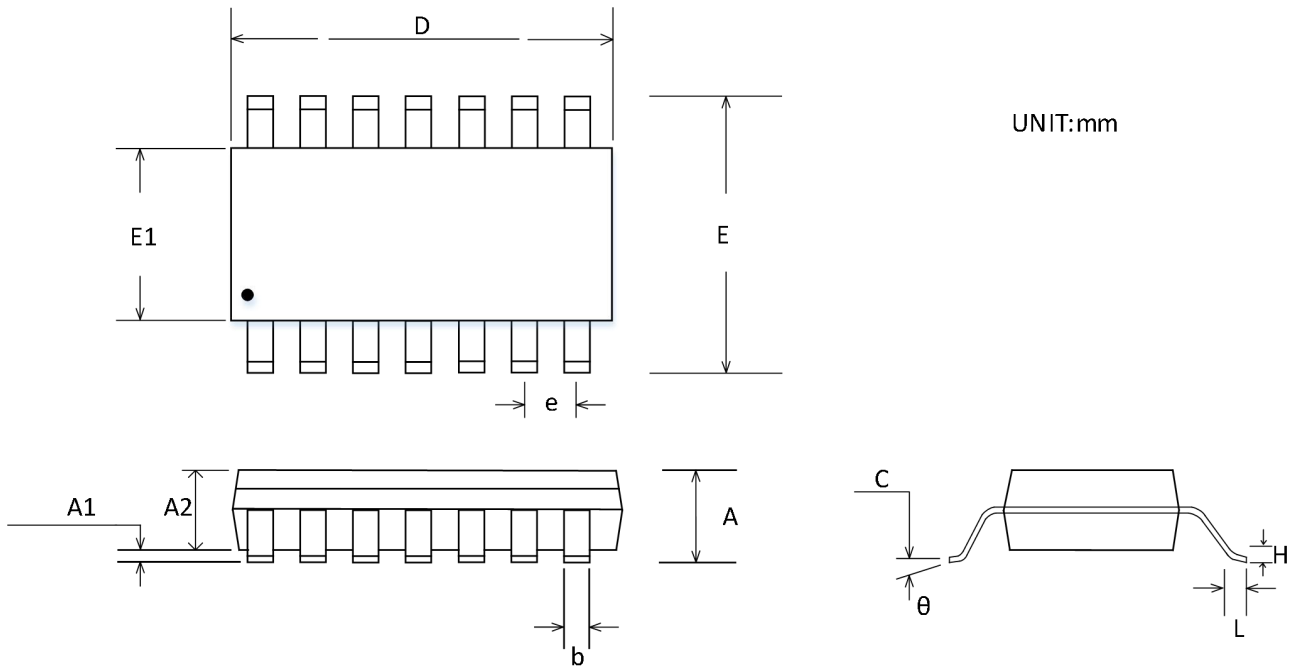
Symbol	Dimensions In Millimeters		Dimensions Inches	
	Min	Max	Min	Max
A		1.200		0.047
A1	0.050	0.150	0.002	0.006
A2	0.800	1.050	0.031	0.041
b	0.190	0.300	0.007	0.012
c	0.090	0.200	0.004	0.008
D	4.860	5.100	0.191	0.201
E1	4.300	4.500	0.169	0.177
E	6.250	6.550	0.246	0.258
e	0.650 BSC		0.026 BSC	
L	0.500	0.700	0.020	0.028
H	0.25 TYP		0.01 TYP	
θ	1°	7°	1°	7°

SOIC-8(SOP8)



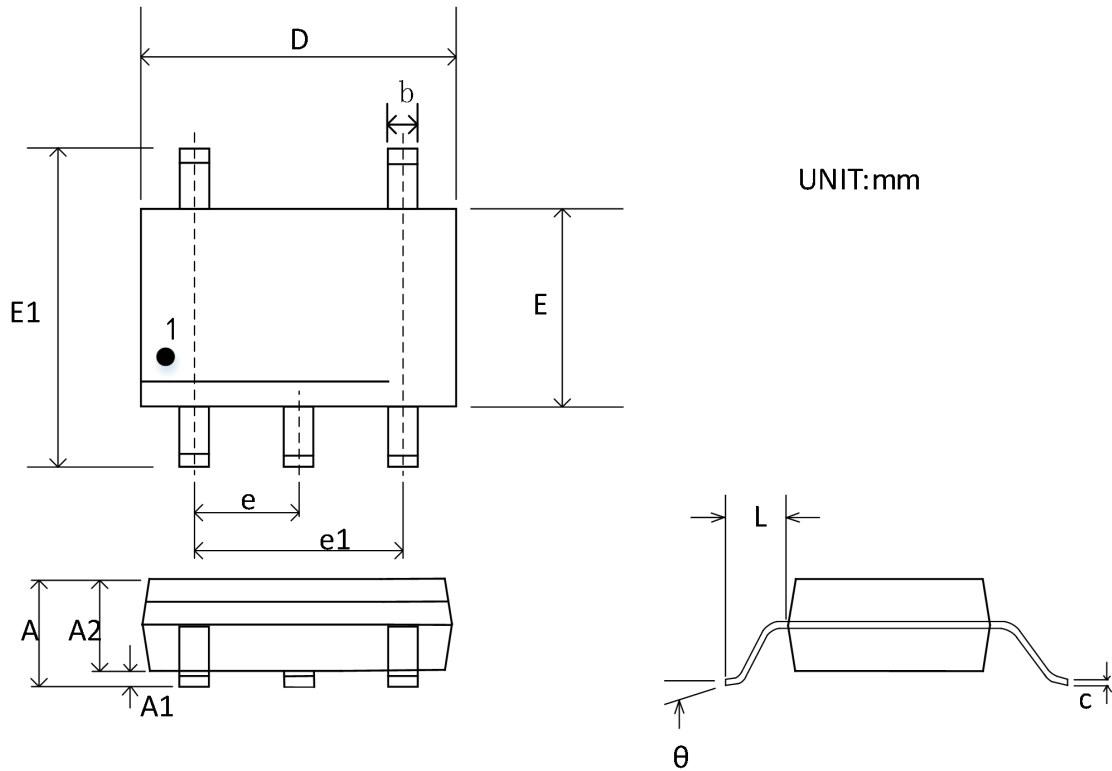
Symbol	Dimensions In Millimeters		Dimensions Inches	
	Min	Max	Min	Max
A	1.350	1.750	0.053	0.069
A1	0.100	0.250	0.004	0.010
A2	1.350	1.550	0.053	0.061
b	0.330	0.510	0.013	0.020
c	0.170	0.250	0.007	0.010
D	4.800	5.000	0.189	0.197
E	3.800	4.000	0.150	0.157
E1	5.800	6.200	0.228	0.244
e	1.270 BSC		0.050 BSC	
L	0.400	1.270	0.016	0.050
θ	0°	8°	0°	8°

SOIC-14(SOP14)



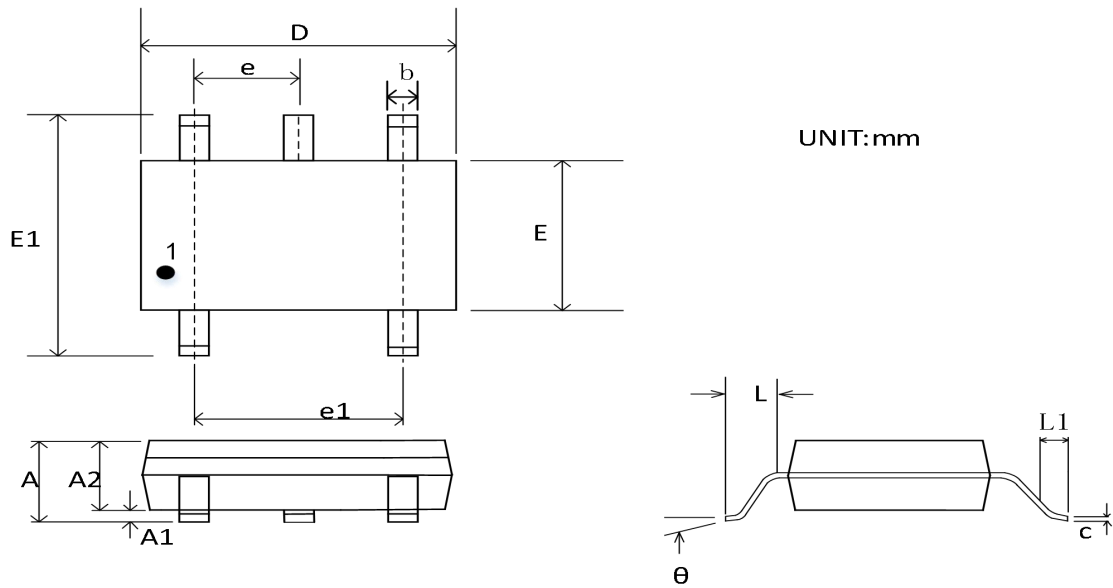
Symbol	Dimensions In Millimeters		Dimensions Inches	
	Min	Max	Min	Max
A	1.350	1.750	0.053	0.069
A1	0.100	0.250	0.004	0.010
A2	1.350	1.550	0.053	0.061
b	0.310	0.510	0.012	0.020
c	0.100	0.250	0.004	0.010
D	8.450	8.850	0.333	0.348
E	5.800	6.200	0.228	0.244
E1	3.800	4.000	0.150	0.157
e	1.270 BSC		0.050 BSC	
L	0.400	1.270	0.016	0.050
R1	0°	8°	0°	8°

SOT23-5



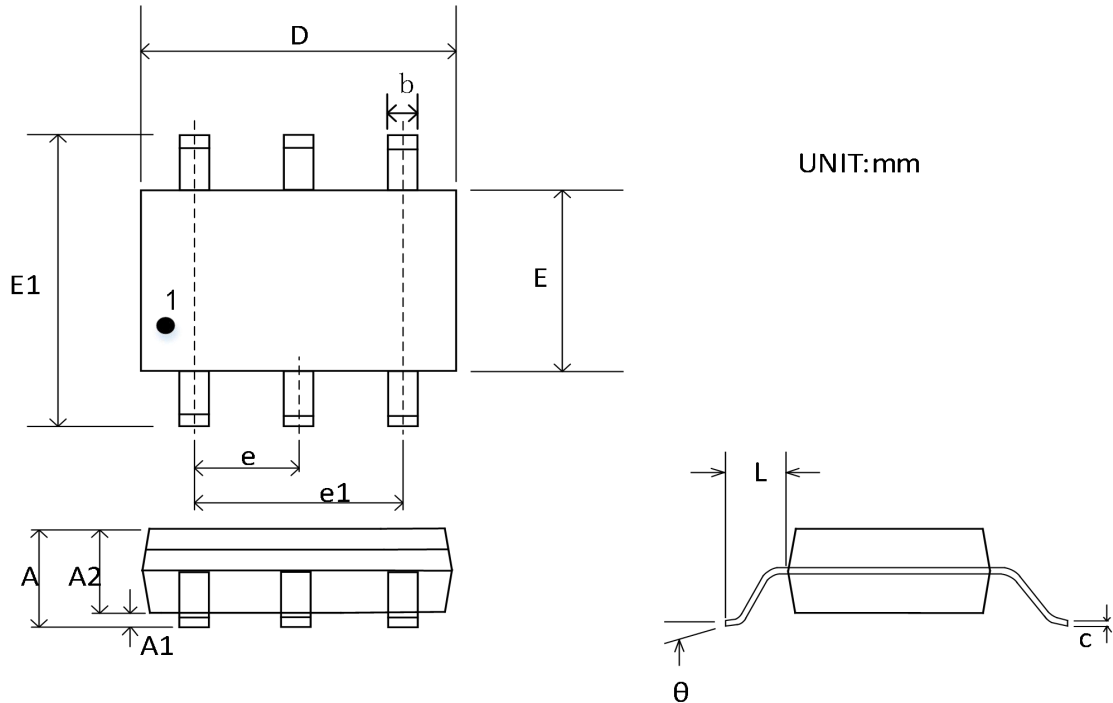
Symbol	Dimensions In Millimeters		Dimensions Inches	
	Min	Max	Min	Max
A	1.050	1.250	0.041	0.049
A1	0.000	0.100	0.000	0.004
A2	1.050	1.150	0.041	0.045
b	0.300	0.500	0.012	0.020
c	0.100	0.200	0.004	0.008
D	2.820	3.020	0.111	0.119
E	1.500	1.700	0.059	0.067
E1	2.650	2.950	0.104	0.116
e	0.950 BSC		0.037 BSC	
e1	1.800	2.000	0.071	0.079
L	0.300	0.600	0.012	0.024
θ	0°	8°	0°	8°

SC70-5



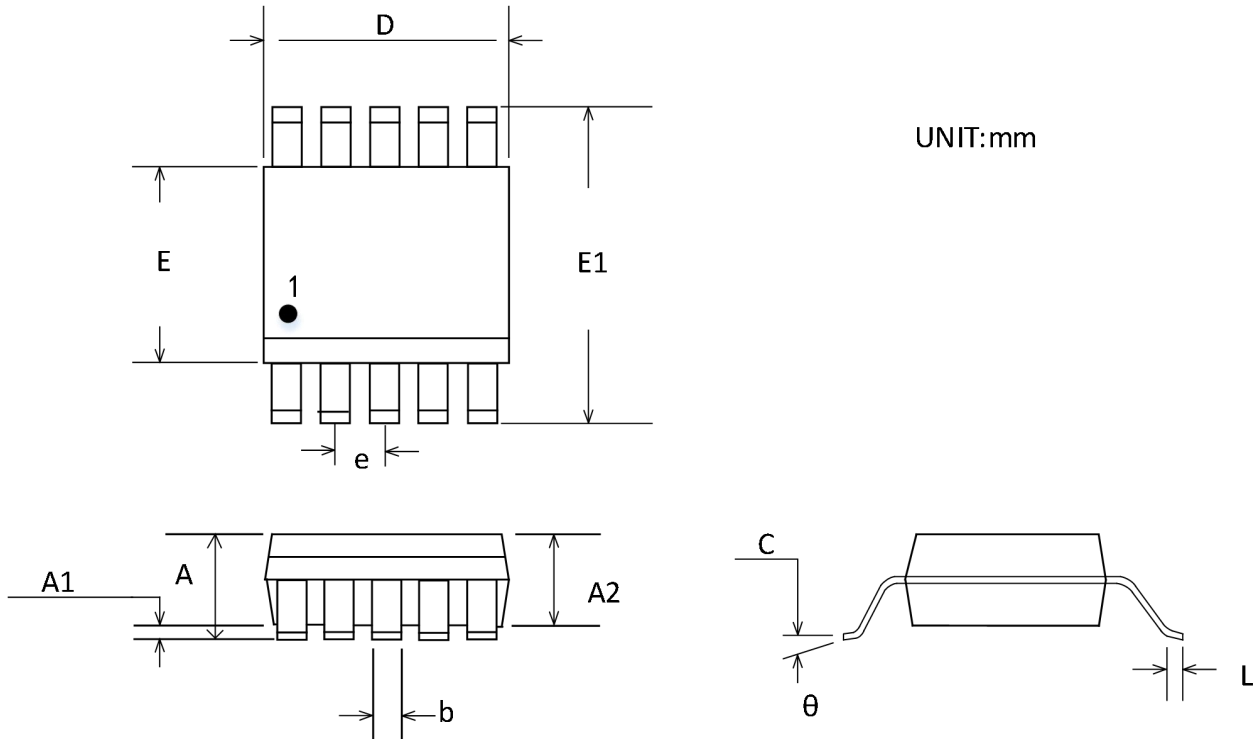
Symbol	Dimensions In Millimeters		Dimensions Inches	
	Min	Max	Min	Max
A	0.900	1.100	0.035	0.043
A1	0.000	0.100	0.000	0.004
A2	0.900	1.000	0.035	0.039
b	0.150	0.350	0.006	0.014
C	0.080	0.150	0.003	0.006
D	2.000	2.200	0.079	0.087
E	1.150	1.350	0.045	0.053
E1	2.150	2.450	0.085	0.096
e	0.650 TYP		0.026TYP	
e1	1.200	1.400	0.047	0.055
L	0.525 REF		0.021 REF	
L1	0.260	0.460	0.010	0.018
θ	0°	8°	0°	8°

SOT23-6



Symbol	Dimensions In Millimeters		Dimensions Inches	
	Min	Max	Min	Max
A	1.050	1.250	0.041	0.049
A1	0.000	0.100	0.000	0.004
A2	1.050	1.150	0.041	0.045
b	0.300	0.500	0.012	0.020
c	0.100	0.200	0.004	0.008
D	2.820	3.020	0.111	0.119
E	1.500	1.700	0.059	0.067
E1	2.650	2.950	0.104	0.116
e	0.950 BSC		0.037 BSC	
e1	1.900 BSC	0.075 BSC		
L	0.300		0.600	
θ	0°	8°	0°	8°

MSOP-10



Symbol	Dimensions In Millimeters		Dimensions Inches	
	Min	Max	Min	Max
A	0.820	1.100	0.032	0.043
A1	0.020	0.150	0.001	0.006
A2	0.750	0.950	0.030	0.037
b	0.180	0.280	0.007	0.011
c	0.090	0.230	0.004	0.009
D	2.900	3.100	0.114	0.122
E	2.900	3.100	0.114	0.122
E1	4.750	5.050	0.187	0.199
e	0.50 BSC		0.020 BSC	
L	0.400	0.800	0.016	0.031
θ	0°	6°	0°	6°

Package/Ordering Information

CHANNEL	ORDER NUMBER	PACKAGE DESCRIPTION	MARKING	PACKAGE OPTION
Single	CBM8051ASC5	SC70-5	H6C	Tape and Reel, 3000
Single	CBM8051AST5	SOT23-5	H06	Tape and Reel, 3000
Single With shutdown	CBM8051NSC6	SC70-6	H06N	Tape and Reel, 3000
Single With shutdown	CBM8051NST6	SOT23-6	H06T	Tape and Reel, 3000
Dual	CBM8052AS8	SOP-8	CBM8052A	Tape and Reel, 2500
Dual	CBM8052AS8-RL	SOP-8	CBM8052A	Tape and Reel, 3000
Dual	CBM8052AS8-REEL	SOP-8	CBM8052A	Tape and Reel, 4000
Dual	CBM8052AMS8	MSOP-8	M52	Tape and Reel, 3000
Dual With shutdown	CBM8052NMS10	MSOP-10	CBM8052N	Tape and Reel, 3000
Quad	CBM8054ATS14	TSSOP-14	CBM8054AT	Tape and Reel, 2500
Quad	CBM8054ATS14-RL	TSSOP-14	CBM8054AT	Tape and Reel, 3000
Quad	CBM8054ATS14-REEL	TSSOP-14	CBM8054AT	Tape and Reel, 4000
Quad	CBM8054AS14	SOP-14	CBM8054AS	Tape and Reel, 2500
Quad	CBM8054AS14-RL	SOP-14	CBM8054AS	Tape and Reel, 3000
Quad	CBM8054AS14-REEL	SOP-14	CBM8054AS	Tape and Reel, 4000