

Features

- Low Quiescent Current: 300 μ A
- - Low Quiescent Current: 300 μ A
- -7V to +12V Common-Mode Input Voltage Range
- Three-State Outputs
- 50ns Propagation Delays, 5ns Skew
- Half-Duplex Version Available
- Operate from a Single 5V Supply
- Allows up to 32 Transceivers on the Bus
- Data rate: 10 Mbps(MAX)
- Current-Limiting and Thermal Shutdown for Driver Overload Protection
- Enhanced ESD Specifications:
 - \pm 15kV IEC61000-4-2 Air Discharge
 - \pm 8kV IEC61000-4-2 Contact Discharge

General Description

The CBM485 is low-power transceivers for RS-485 and RS-422 communication. IC contains one driver and one receiver.

The driver slew rates of the CBM485 is not limited, allowing them to transmit up to 10 Mbps. These transceivers draw between 120 μ A and 500 μ A of supply current when unloaded or fully loaded with disabled drivers. All parts operate from a single 5V supply. Drivers are short-circuit current limited and are protected against excessive power dissipation by thermal shutdown circuitry that places the driver outputs into a high-impedance state.

The receiver input has a fail-safe feature that guarantees a logic-high output if the input is open circuit. The CBM485 is designed for half-duplex applications.

Applications

- Low power RS-485 systems
- DTE/DCE interface
- Packet switching
- Local area networks (LNAs)
- Data multiplexers
- Data concentration
- Integrated services digital network (ISDN)

Catalog

Features.....	1
Applications.....	1
General Description.....	1
Catalog.....	2
Pin Configurations.....	3
Pin Descriptions.....	3
Absolute Maximum Ratings.....	4
DC Electrical Characteristics.....	5
Switching Characteristics.....	7
Test Circuits.....	8
Function Tables.....	11
Typical Information.....	11
Driver Output Protection.....	12
Propagation Delay.....	12
Typical Applications.....	12
Package Outline Dimensions.....	13
SOP8.....	13
MSOP8.....	14
Package/Ordering Information.....	15

Pin Configurations

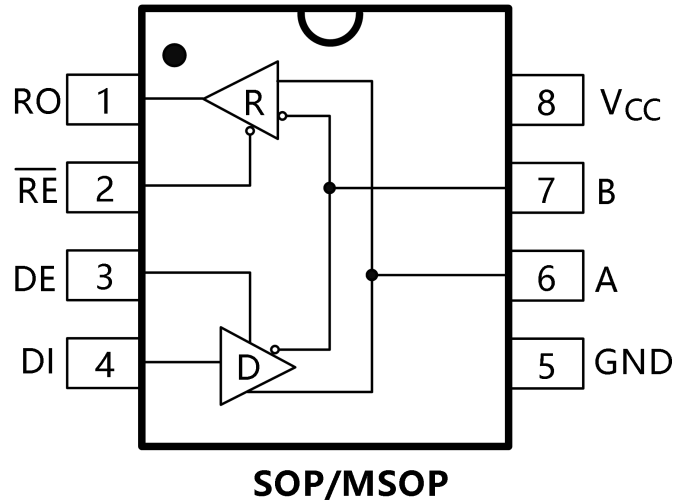


Figure 1.

Pin Descriptions

PIN_N	SYMBOL MSOP/SOP(CBM485)	I/O	NAME AND FUNCTION
1	RO	O	Receiver Output: If $A > B$ by 200mV, RO will be high; If $A < B$ by 200mV, RO will be low.
2	\overline{RE}	--	Receiver Output Enable. RO is enabled when \overline{RE} is low; RO is high impedance when \overline{RE} is high.
3	DE	--	Driver Output Enable. The driver outputs, Y and Z, are enabled by bringing DE high. They are high impedance when DE is low. If the driver outputs are enabled, the parts function as line drivers. While they are high impedance, they function as line receivers if RE is low.
4	DI	I	Driver Input. A low on DI forces output Y low and output Z high. Similarly, a high on DI forces output Y high and output Z low.
5	GND	--	Ground
6	A	I	Noninverting Receiver Input and Noninverting Driver Output
7	B	I	Inverting Receiver Input and Inverting Driver Output
8	VCC	--	Positive Supply: $4.75V \leq VCC \leq 5.25V$

Absolute Maximum Ratings

Supply Voltage (V_{CC}) 12V	Continuous Power Dissipation ($T_A = +70^\circ\text{C}$)
Control Input Voltage -0.5V to $(V_{CC} + .5\text{V})$	8-Pin Plastic DIP (derate $9.09\text{mW}/^\circ\text{C}$ above $+70^\circ\text{C}$)
727mW	
Driver Input Voltage (D_i) -0.5V to $(V_{CC} + 0.5\text{V})$	8-Pin SOP (derate $5.88\text{mW}/^\circ\text{C}$ above $+70^\circ\text{C}$) 471mW
Driver Output Voltage (A, B) -8V to $+12.5\text{V}$	Operating Temperature Ranges -40°C to $+125^\circ\text{C}$
Receiver Input Voltage (A,B) -8V to $+12.5\text{V}$	Storage Temperature Range -65°C to $+160^\circ\text{C}$

* Stresses beyond those listed under “absolute maximum ratings” may cause permanent damage to the device. These are stress ratings only and functional operation of the device at these or any other conditions beyond those indicated under “recommended operating conditions” is not implied.

Exposure to absolute-maximum-rated conditions for extended periods may affect device reliability.

DC Electrical Characteristics

($V_{CC} = 5V \pm 5\%$, $T_A = T_{MIN}$ to T_{MAX} , unless otherwise noted.) (Notes 1, 2)

PARAMETER	SYMBOL	CONDITIONS	MIN	TYP	MAX	UNITS
Differential Driver Output (no load)	V_{OD1}				5	V
Differential Driver Output (with load)	V_{OD2}	R = 50Ω (RS-422)	2			V
		R=27Ω (RS-485), Figure 2	1.5			V
Change in Magnitude of Driver Differential Output Voltage for Complementary Output States	ΔV_{OD}	R = 27Ω or 50Ω, Figure 2			0.2	V
Driver Common-Mode Output Voltage	V_{OC}	R = 27Ω or 50Ω, Figure 2			3	V
Change in Magnitude of Driver Common-Mode Output Voltage for Complementary Output States	ΔV_{OC}	R = 27Ω or 50Ω, Figure 2			0.2	V
Input High Voltage	V_{IH}	DE, DI, \overline{RE}	2.0			V
Input Low Voltage	V_{IL}	DE, DI, \overline{RE}			0.8	V
Input Current	I_{IN1}	DE, DI, \overline{RE}			±2	μA
Input Current (A, B)	I_{IN2}	$V_{DE} = 0V ; V_{CM}=0V$ or $5.25V$;	$V_{IN}=12V$		1.0	mA
			$V_{IN}=-7V$		-0.8	
Receiver Differential Threshold Voltage	V_{TH}	$-7V \leq V_{CM} \leq 12V$	-0.2		0.2	V
Receiver Input Hysteresis	ΔV_{TH}	$V_{CM} = 0V$		70		mV
Receiver Output High Voltage	V_{OH}	$I_O = -4mA, V_{ID} = 200mV$	3.5			V

Receiver Output Low Voltage	V_{OL}	$I_O = 4\text{mA}, V_{ID} = -200\text{mV}$			0.4	V
Three-State (high impedance) Output Current at Receiver	I_{OZR}	$0.4\text{V} \leq V_O \leq 2.4\text{V}$			± 1	μA
Receiver Input Resistance	R_{IN}	$-7\text{V} \leq V_{CM} \leq 12\text{V}$	12			$\text{k}\Omega$
No-Load Supply Current (Note 3)	I_{CC}	$V_{RE} = 0\text{V or } V_{CC}$				
		$V_{DE} = V_{CC}$		500	900	μA
		$V_{DE} = 0\text{V}$		300	500	
Driver Short-Circuit Current,	I_{OSD1}	$-7\text{V} \leq V_O \leq 12\text{V}$ (Note 4)	35		250	mA
$V_O = \text{High}$ Driver Short-Circuit Current	I_{OSD2}	$-7\text{V} \leq V_O \leq 12\text{V}$ (Note 4)	35		250	mA
$V_O = \text{Low}$ Receiver Short-Circuit Current	I_{OSR}	$0\text{V} \leq V_O \leq V_{CC}$	7		95	mA
ESD Protection		A, B, Y and Z pins, tested using Human Body Model		15		kV

Switching Characteristics

($V_{CC} = 5V \pm 5\%$, $T_A = T_{MIN}$ to T_{MAX} , unless otherwise noted.) (Notes 1, 2)

PARAMETER	SYMBOL	CONDITIONS	MIN	TYP	MAX	UNITS
Driver Input to Output	T_{PLH}	$R_{DIFF} = 54$	10	55	60	ns
	T_{PHL}	$C_{L1} = C_{L2} = 100pF$	10	55	60	
Driver Output Skew to Output	T_{SKEW}	$R_{DIFF} = 54, C_{L1} = C_{L2} = 100pF$		5	10	ns
Driver Enable to Output High	T_{ZH}	$C_L = 100pF, S2$ closed		40	70	ns
Driver Enable to Output Low	T_{ZL}	$C_L = 100pF, S1$ closed		40	70	ns
Driver Disable Time from Low	T_{LZ}	$C_L = 15pF, S1$ closed		40	70	ns
Driver Disable Time from High	T_{HZ}	$C_L = 15pF, S2$ closed		40	70	ns
Receiver Input to Output	T_{PLH}	$R_{DIFF} = 54, C_{L1} = C_{L2} = 100pF$	20	60	100	ns
	T_{PHL}		20	60	100	
$T_{PLH} - T_{PHL}$ Differential Receiver Skew		$R_{DIFF} = 54, C_{L1} = C_{L2} = 100pF$				
Receiver Enable to Output Low	T_{ZL}	$C_{RL} = 15pF, S2$ closed	5			ns
Receiver Enable to Output High	T_{ZH}	$C_{RL} = 15pF, S1$ closed	10			ns
Receiver Disable Time from Low	T_{LZ}	$C_{RL} = 15pF, S1$ closed		30	50	ns
Receiver Disable Time from High	T_{HZ}	$C_{RL} = 15pF, S2$ closed		30	50	ns
Maximum Data Rate	F_{MAX}				10	Mbps

Note 1: All currents into device pins are positive; all currents out of device pins are negative. All voltages are referenced to device ground unless otherwise specified.

Note 2: All typical specifications are given for $V_{CC} = 5V$ and $T_A = +25^\circ C$.

Note 3: Supply current specification is valid for loaded transmitters when $DE = 0V$.

Note 4: Applies to peak current.

Test Circuits

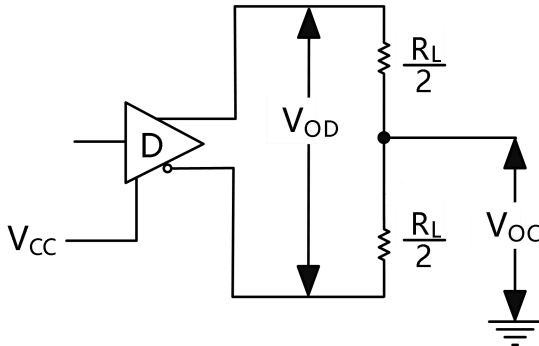


Figure 2. Driver V_{OD} and V_{OC}

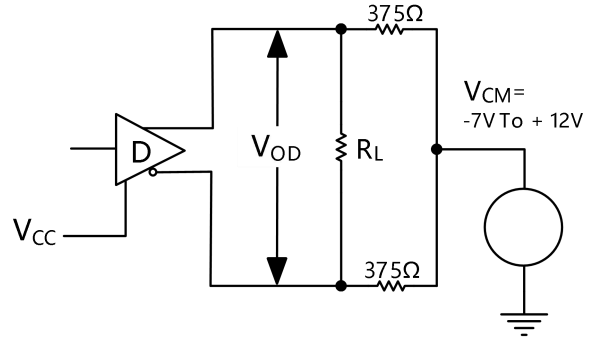


Figure 3. Driver V_{OD} with Varying Common-Mode Voltage

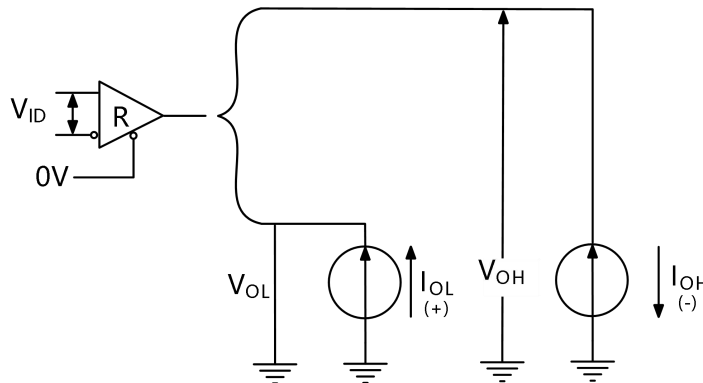


Figure 4. Receiver V_{OH} and V_{OL}

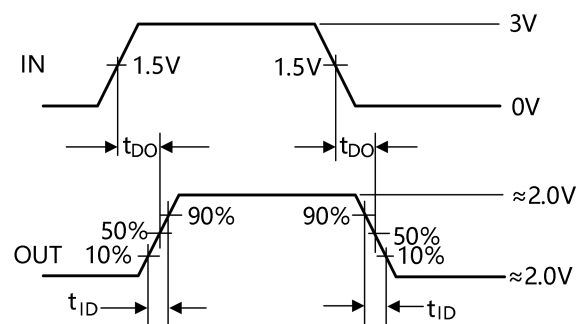
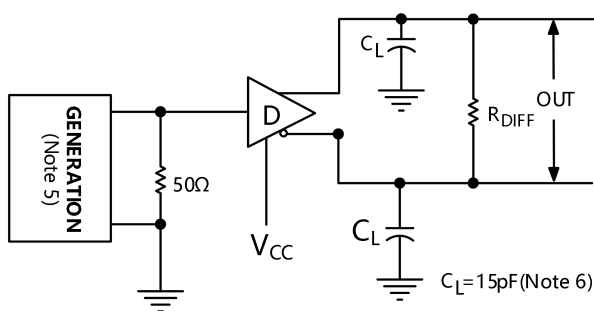


Figure 5. Driver Differential Output Delay and Transition Times

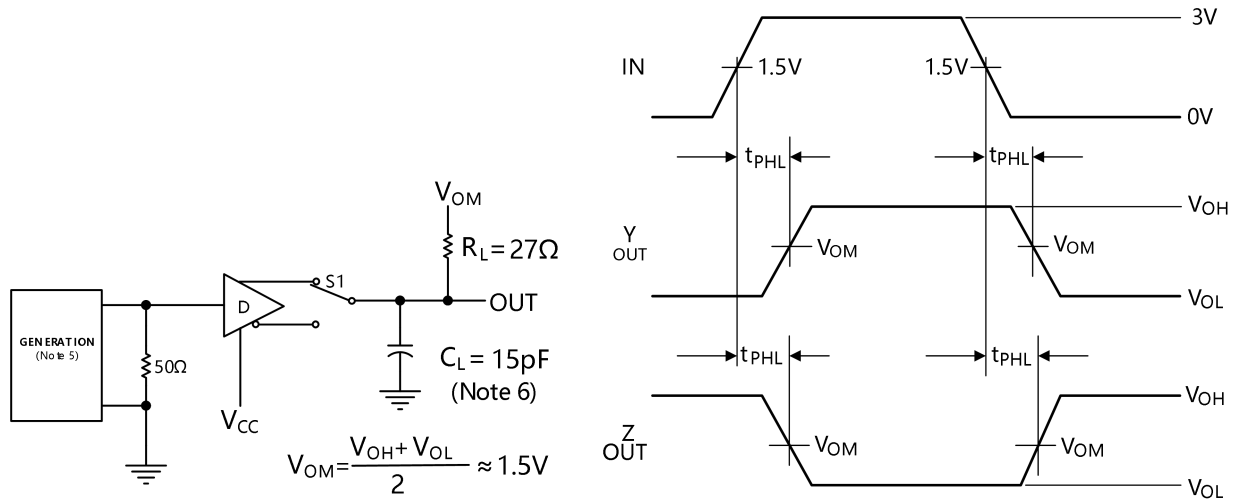


Figure 6. Driver Propagation Times

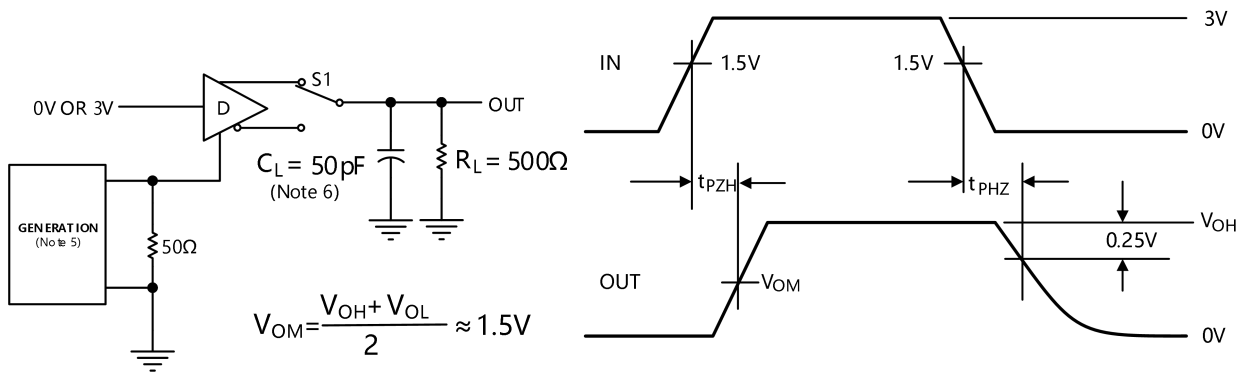


Figure 7. Driver Enable and Disable Times (T_{PZH} , T_{PSH} , T_{PHZ})

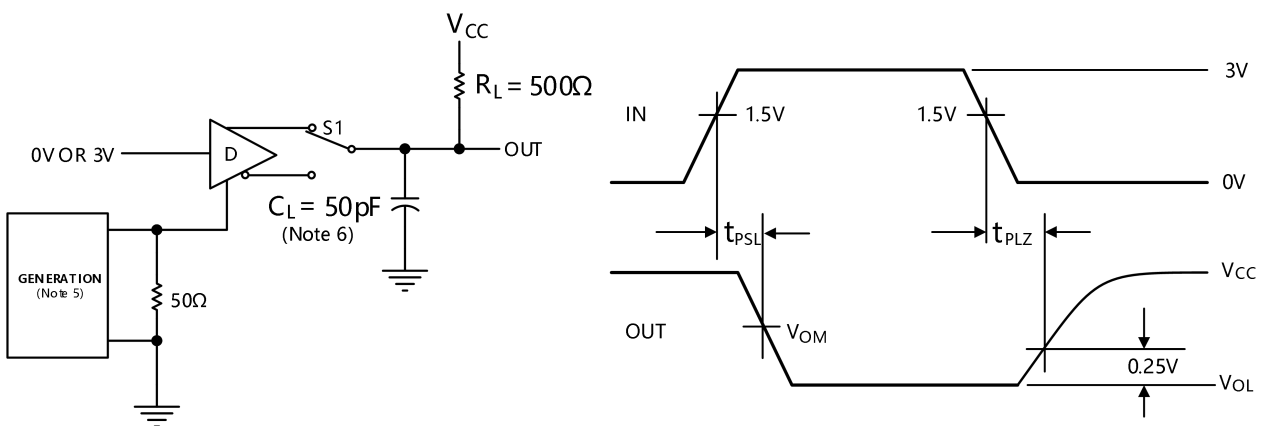


Figure 8. Driver Enable and Disable Times (T_{PZH} , T_{PSH} , T_{PHZ})

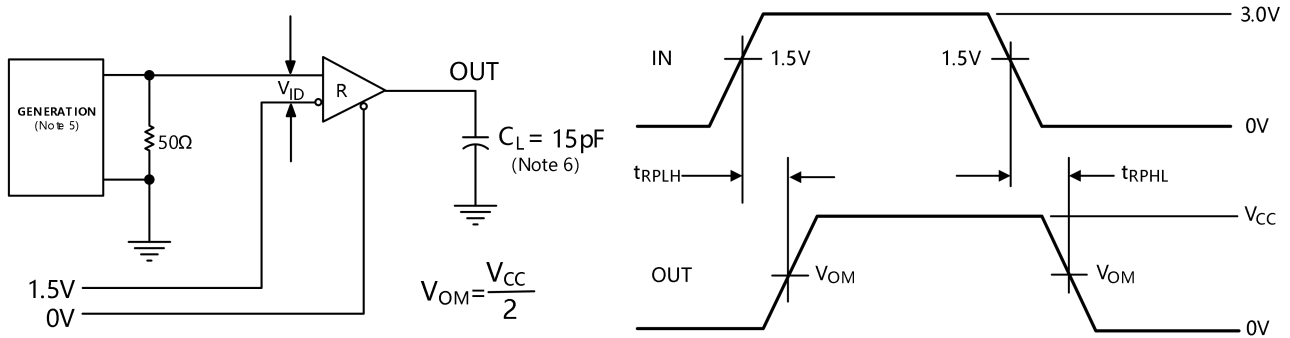


Figure 9. Driver Enable and Disable Times (T_{PZH} , T_{PSH} , T_{PHZ})

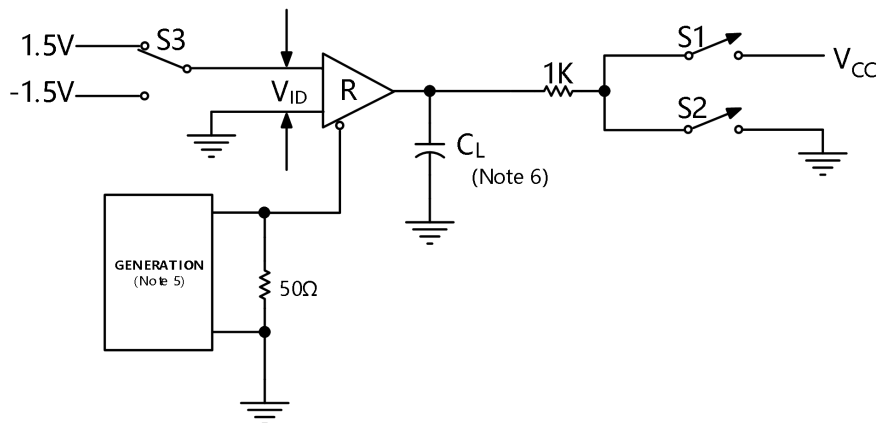


Figure 10. Driver Enable and Disable Times (T_{PZH} , T_{PSH} , T_{PHZ})

Note 5: The input pulse is supplied by a generator with the following characteristics: PRR = 250kHz, 50% duty cycle, $t_r \leq 6.0\text{ns}$, $Z_o = 50\Omega$.

Note 6: C_L includes probe and stray capacitance.

Function Tables

Transmitting				
INPUTS			OUTPUTS X	
RE	DE	DI	Z	Y
X	1	1	0	1
X	1	0	1	0
0	0	X	Z	Z
1	0	X	Z	Z

Receiving			
INPUTS			OUTPUTS
RE	DE	A-B	RO
0	0	+0.2V	1
0	0	-0.2V	0
0	0	open	1
1	0	X	Z

X-don't care

Z-high impedance

Typical Information

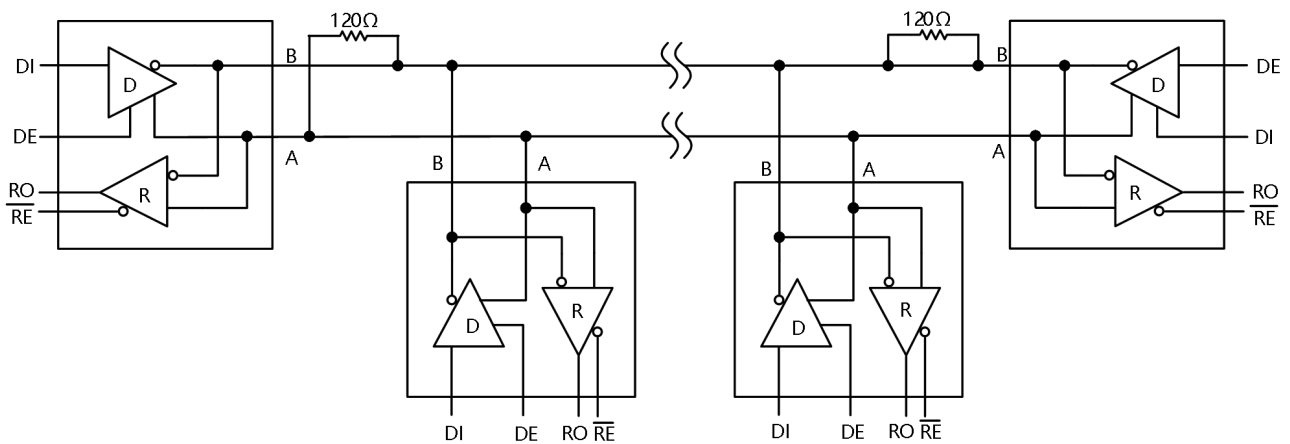


Figure 11. CBM485 Typical RS-485 Network

Driver Output Protection

Excessive output current and power dissipation caused by faults or by bus contention are prevented by two mechanisms. A foldback current limit on the output stage provides immediate protection against short circuits over the whole common-mode voltage range. In addition, a thermal shutdown circuit forces the driver outputs into a high-impedance state if the die temperature rises excessively.

Propagation Delay

Skew time is simply the difference between the low-to-high and high-to-low propagation delay. Small driver/receiver skew times help maintain a symmetrical mark-space ratio (50% duty cycle). The receiver skew time, $|T_{PRLH} - T_{PRHL}|$, is under 10ns. The driver skew times are 5ns for the CBM485.

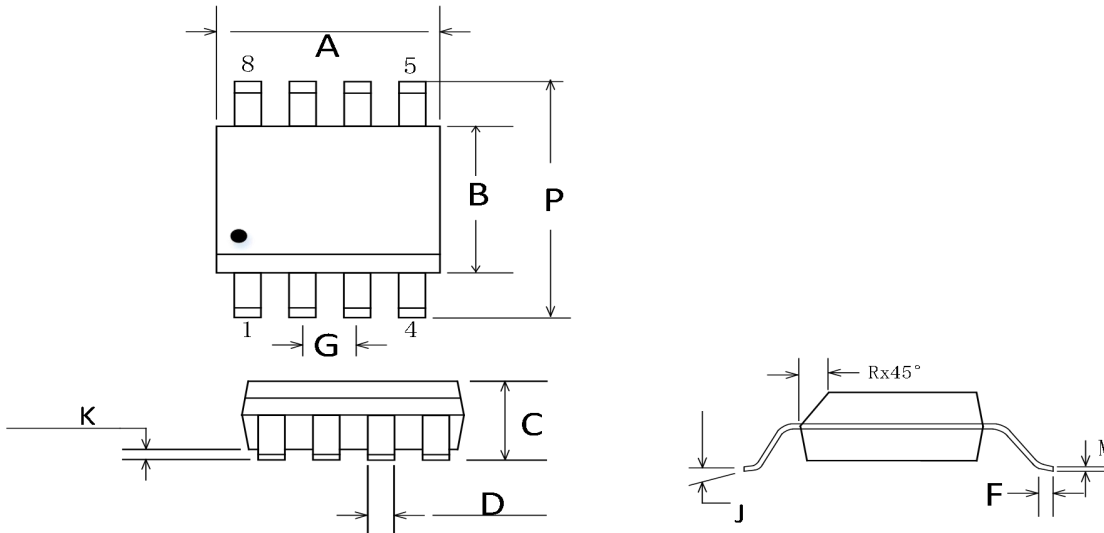
Typical Applications

CBM485 transceivers are designed for bidirectional data communications on multipoint bus transmission lines. Figure 10 shows typical network applications circuits. These parts can also be used as line repeaters, with cable lengths longer than 4000 feet.

To minimize reflections, the line should be terminated at both ends in its characteristic impedance, and stub lengths off the main line should be kept as short as possible.

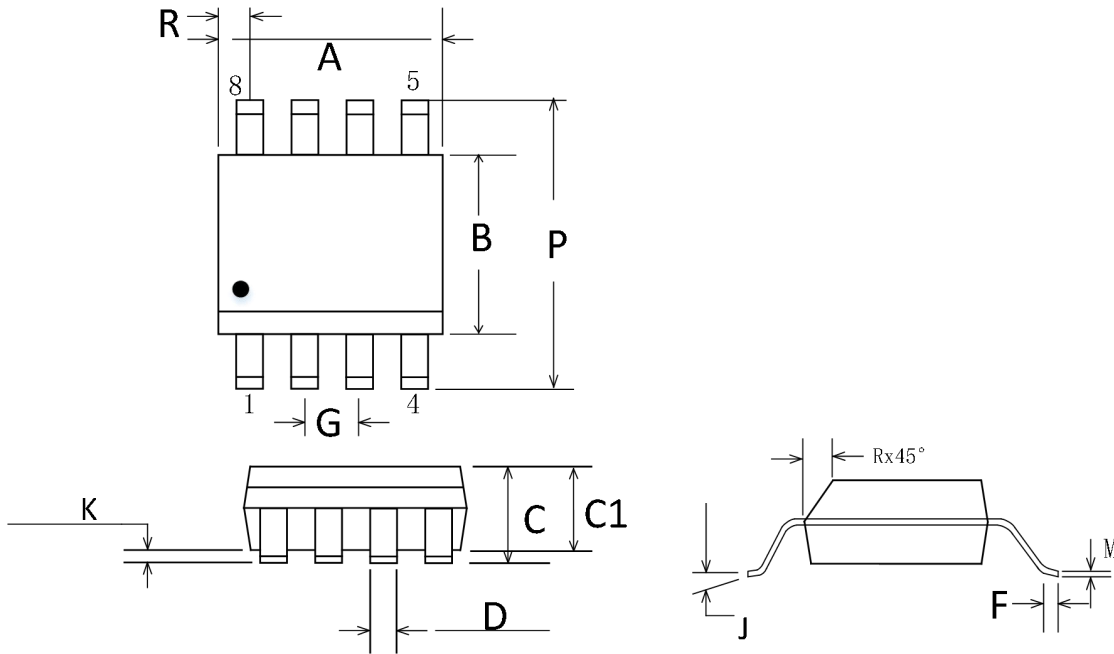
Package Outline Dimensions

SOP-8



Symbol	Dimensions (mm)	
	Min	Max
A	4.8	5
B	3.8	4
C	1.35	1.75
D	0.31	0.51
F	0.4	1.27
G	1.27BSC	
J	0°	8°
K	0.1	0.25
M	0.17	0.25
P	5.8	6.2
R	0.25	0.5

MSOP-8



Symbol	Dimensions (mm)	
	Min	Max
A	2.8	3.2
B	2.8	3.2
C	--	1.10
C1	0.75	0.95
D	0.22	0.38
F	0.40	0.80
G	0.65BSC	
J	0°	8°
K	0	0.15
M	0.08	0.23
P	4.65	5.15

Package/Ordering Information

PRODUCT TYPE	OPERATING TEMPERATURE	PACKAGE	PACKAGE MARKING	NUMBER OF PACKAGES
CBM485AS8	-40°C~125°C	SOIC-8(SOP8)	CBM485A	Tape and Reel, 2500
CBM485AS8-RL	-40°C~125°C	SOIC-8(SOP8)	CBM485A	Tape and Reel, 3000
CBM485AS8-REEL	-40°C~125°C	SOIC-8(SOP8)	CBM485A	Tape and Reel, 4000
CBM485AMS8	-40°C~125°C	MSOP8	M85	Tape and Reel,3000